

3/2-directional valve, Series DO10

- 3/2

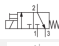

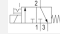

- Manual override : with detent, without detent

- With spring return



Version	Poppet valve
Activation	Electrically
Sealing principle	Soft sealing
Working pressure min./max.	0 ... 8 bar
Ambient temperature min./max.	-10 ... 50 °C
Medium temperature min./max.	-10 ... 50 °C
Medium	Compressed air
Max. particle size	5 µm
Oil content of compressed air	0 ... 1 mg/m ³
Nominal flow 1 ► 2	7.5 l/min
Nominal flow 2 ► 3	14 l/min
Protection class with connection	IP50
Protective circuit	Z-diode
LED status display	Yellow
Duty cycle	100 %
Mounting on manifold strip	PRS strip
mounting screws	M1.6
Weight	0.038 kg

Technical data

Part No.		MO	Operational voltage	Voltage tolerance
			DC	DC
1827414900			24 V	-10% / +10%
1827414901			24 V	-10% / +10%

Part No.	Power consumption
	DC
1827414900	1.2 W
1827414901	1.2 W

Nominal flow Qn at 6 bar and $\Delta p = 1$ bar, MO = Manual override

Technical information

The min. control pressure must be adhered to, since otherwise faulty switching and valve failure may result!

The pressure dew point must be at least 15 °C under ambient and medium temperature and may not exceed 3 °C .

The oil content of compressed air must remain constant during the life cycle.

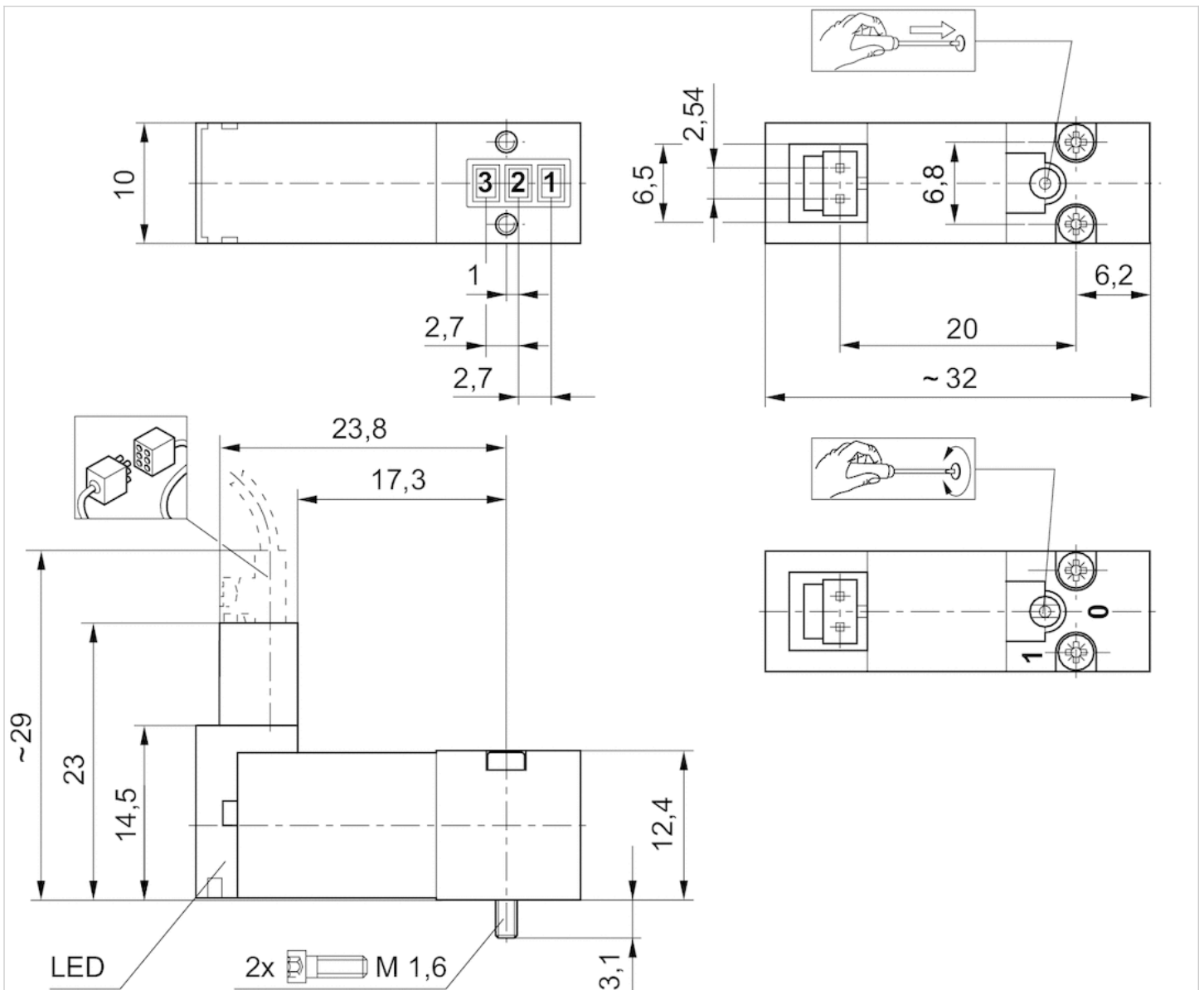
Use only the approved oils from AVENTICS. Further information can be found in the "Technical information" document (available in the MediaCentre).

Technical information

Material	
Housing	polyphenylene sulfide
Seals	Acrylonitrile butadiene rubber

Dimensions

Dimensions



3/2-directional valve, Series DO16

- 3/2
- Plate connection
- Electrical connection : Plug, ISO 15217, form C
- Manual override : without detent with detent
- With spring return



Version	Poppet valve
Activation	Electrically
Sealing principle	Soft sealing
Working pressure min./max.	See table below
Ambient temperature min./max.	-10 ... 50 °C
Medium temperature min./max.	-10 ... 50 °C
Medium	Compressed air
Max. particle size	5 µm
Oil content of compressed air	0 ... 5 mg/m ³
Nominal flow 1 ▶ 2	See table below
Nominal flow 2 ▶ 3	See table below
Protection class acc. to DIN EN 61140	Class I
Electrically	
Protection class with connection	IP65
Duty cycle	100 %
Mounting on manifold strip	PRS strip
mounting screws	M3
Weight	0.035 kg

Technical data

Part No.	MO	Operational voltage	
		DC	AC 50 Hz
0820048002		24 V	-
0820048004		-	24 V
0820048005		-	-
0820048001		-	230 V
0820048102		24 V	-
0820048101		-	230 V
0820048028		-	24 V
0820048026		24 V	-
0820048029		-	-
0820048025		-	230 V
0820048126		24 V	-

Part No.	Operational voltage	Voltage tolerance		
		DC	AC 50 Hz	AC 60 Hz
0820048002	-	-10% / +15%	-	-
0820048004	-	-	-10% / +15%	-
0820048005	110 V	-	-	-10% / +15%
0820048001	-	-	-10% / +15%	-

Part No.	Operational voltage	Voltage tolerance	Voltage tolerance	Voltage tolerance
		DC	AC 50 Hz	AC 60 Hz
0820048102	-	-10% / +15%	-	-
0820048101	-	-	-10% / +15%	-
0820048028	-	-	-10% / +15%	-
0820048026	-	-10% / +15%	-	-
0820048029	110 V	-	-	-10% / +15%
0820048025	-	-	-10% / +15%	-
0820048126	-	-10% / +15%	-	-

Part No.	Power consumption	Holding power	Holding power	Switch-on power
	DC	AC 50 Hz	AC 60 Hz	AC 50 Hz
0820048002	2 W	-	-	-
0820048004	-	1.6 VA	-	2.2 VA
0820048005	-	-	1.4 VA	-
0820048001	-	1.6 VA	-	2.2 VA
0820048102	2 W	-	-	-
0820048101	-	1.6 VA	-	2.2 VA
0820048028	-	1.6 VA	-	2.2 VA
0820048026	2 W	-	-	-
0820048029	-	-	1.4 VA	-
0820048025	-	1.6 VA	-	2.2 VA
0820048126	2 W	-	-	-

Part No.	Switch-on power	Nominal flow 1 ▶ 2	Nominal flow 2 ▶ 3	Working pressure min./max.
	AC 60 Hz			
0820048002	-	25 l/min	36 l/min	0 ... 10 bar
0820048004	-	25 l/min	36 l/min	0 ... 10 bar
0820048005	2 VA	25 l/min	36 l/min	0 ... 10 bar
0820048001	-	25 l/min	36 l/min	0 ... 10 bar
0820048102	-	20 l/min	26 l/min	0 ... 8 bar
0820048101	-	16 l/min	19 l/min	0 ... 6 bar
0820048028	-	25 l/min	36 l/min	0 ... 10 bar
0820048026	-	25 l/min	36 l/min	0 ... 10 bar
0820048029	2 VA	25 l/min	36 l/min	0 ... 10 bar
0820048025	-	25 l/min	36 l/min	0 ... 10 bar
0820048126	-	20 l/min	26 l/min	0 ... 8 bar

Nominal flow Q_n at 6 bar and Δp = 1 bar, MO = Manual override

Technical information

The min. control pressure must be adhered to, since otherwise faulty switching and valve failure may result!

The pressure dew point must be at least 15 °C under ambient and medium temperature and may not exceed 3 °C .

The oil content of compressed air must remain constant during the life cycle.

Use only the approved oils from AVENTICS. Further information can be found in the "Technical information" document (available in the MediaCentre).

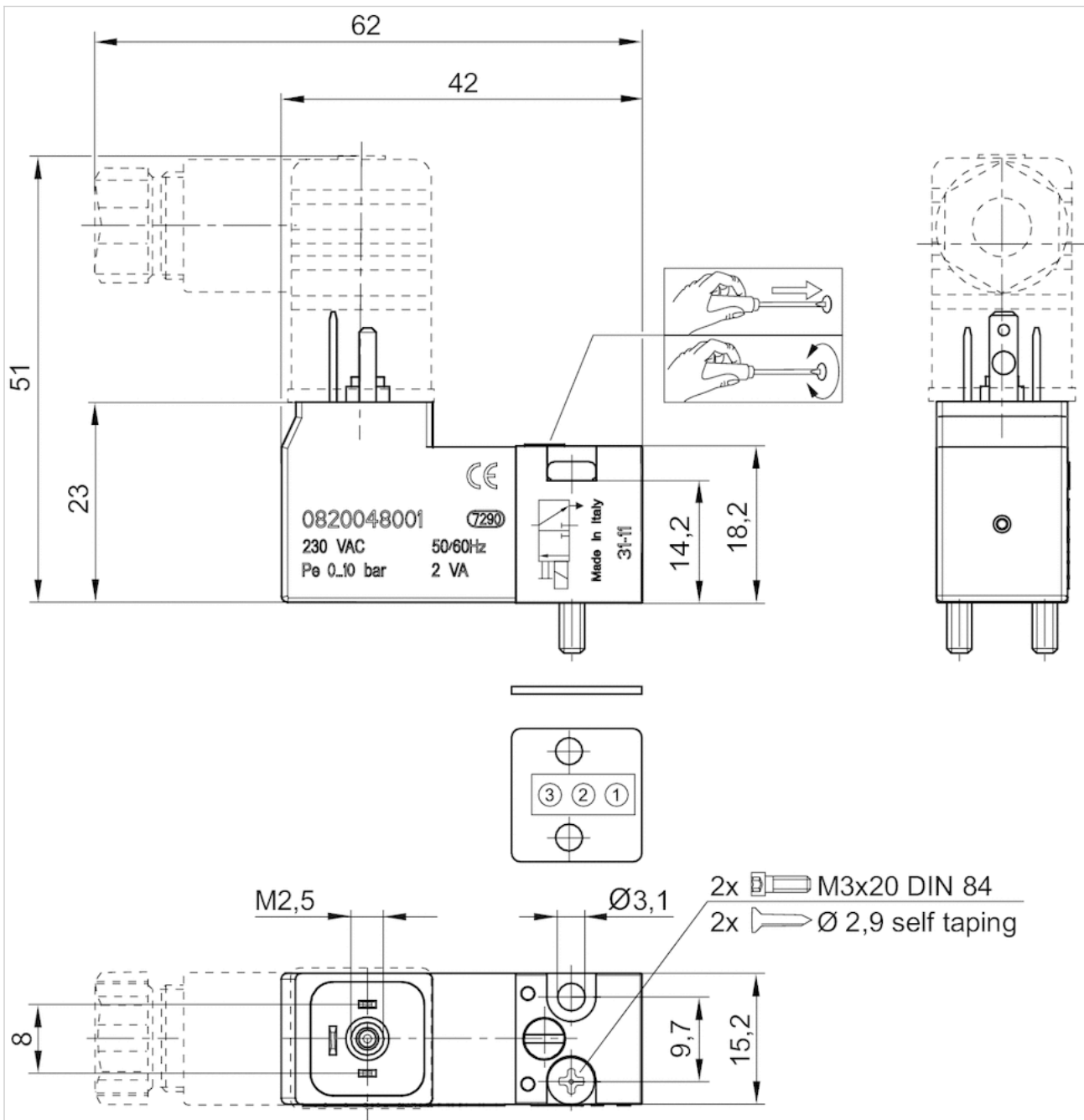
Technical information

Material

Housing	polyphenylene sulfide Polyamide fiber-glass reinforced
Seals	Acrylonitrile butadiene rubber

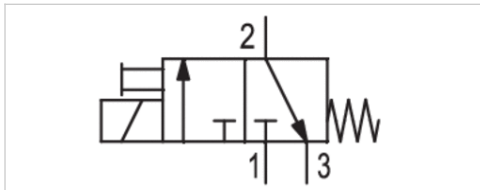
Dimensions

Dimensions



3/2-directional valve, Series DO16

- 3/2
- NC
- Plate connection
- Electrical connection : M12, 3-pin
- Manual override : without detent
- With spring return



Version	Poppet valve
Activation	Electrically
Sealing principle	Soft sealing
Working pressure min./max.	0 ... 10 bar
Ambient temperature min./max.	-10 ... 50 °C
Medium temperature min./max.	-10 ... 50 °C
Medium	Compressed air
Max. particle size	5 µm
Oil content of compressed air	0 ... 5 mg/m ³
Nominal flow 1 ▶ 2	18 l/min
Nominal flow 2 ▶ 3	24 l/min
Protection class acc. to DIN EN 61140	Class I
Electrically	
Duty cycle	100 %
Mounting on manifold strip	PRS strip
Weight	0.035 kg

Technical data

Part No.	MO		Operational voltage	Power consumption		
				DC	DC	
R412013391		NC	24 V	1.5 W		1)
R412019226		NC	24 V	1.5 W		2)

- 1) Pilot valve only
- 2) Incl. pilot valve, seal, screws, and manual

Technical information

The min. control pressure must be adhered to, since otherwise faulty switching and valve failure may result!
 The pressure dew point must be at least 15 °C under ambient and medium temperature and may not exceed 3 °C .
 The oil content of compressed air must remain constant during the life cycle.
 Use only the approved oils from AVENTICS. Further information can be found in the "Technical information" document (available in the MediaCentre).

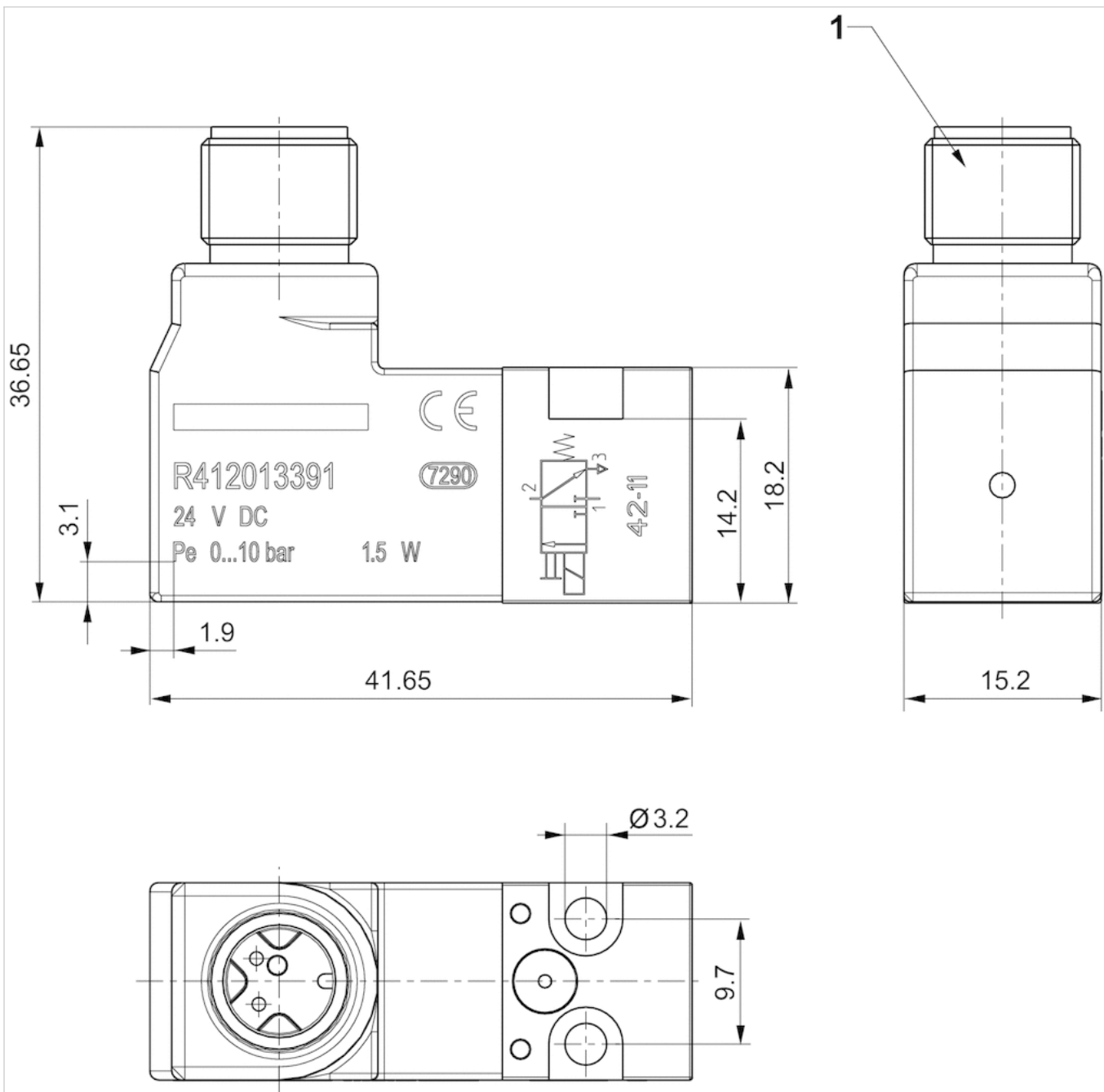
Technical information

Material

Housing	polyphenylene sulfide Polyamide fiber-glass reinforced
Seals	Acrylonitrile butadiene rubber

Dimensions

Dimensions



1) Port for plug M12x1



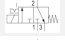



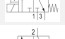









3/2-directional valve, Series DO22

- 3/2
- Pilot valve width : 22 mm
- NC NO
- Pipe connection
- Compressed air connection output : M5
- Electrical connection : Form B, industry
- Can be assembled into blocks
- single valve
- Manual override : with detent
- single solenoid
- With spring return



Version	Poppet valve
Activation	Electrically
Sealing principle	Soft sealing
Blocking principle	Single base plate principle
Working pressure min./max.	See table below
Ambient temperature min./max.	-10 ... 50 °C
Medium temperature min./max.	-10 ... 50 °C
Medium	Compressed air
Max. particle size	5 µm
Oil content of compressed air	1 ... 5 mg/m ³
Nominal flow 1 ► 2	40 l/min
Nominal flow 2 ► 3	52 l/min
Compressed air connection	according to ISO 16030
Reverse polarity protection	Protected against polarity reversal
Compatibility index	See table below
Duty cycle	100 %
Typ. switch-on time	22 ms
Typ. switch-off time	20 ms
Weight	See table below

Technical data

Part No.		MO		Compressed air connection	
					Input
0820019006			NC		M5
0820019014			NC		M5
0820019001			NC		M5
0820019005			NC		M5
0820019990			NC		M5
0820019115			NO		M5
0820019114			NO		M5
0820019991			NO		M5

Part No.	Compressed air connection	
	Output	Exhaust
0820019006	M5	M5
0820019014	M5	M5
0820019001	M5	M5
0820019005	M5	M5
0820019990	M5	M5
0820019115	M5	M5
0820019114	M5	M5
0820019991	M5	M5

Part No.	Operational voltage		Voltage tolerance
	DC	AC 50 Hz	DC
0820019006	24 V	-	-10% / +10%
0820019014	24 V	-	-10% / +10%
0820019001	-	230 V	-
0820019005	-	24 V	-
0820019990	-	-	-
0820019115	24 V	-	-10% / +10%
0820019114	-	24 V	-
0820019991	-	-	-

Part No.	Voltage tolerance		Power consumption		Holding power	
	AC 50 Hz		DC		AC 50 Hz	
0820019006	-	-	4.8 W		-	-
0820019014	-	-	2.6 W		-	-
0820019001	-10% / +10%		-		9.7 VA	7.9 VA
0820019005	-10% / +10%		-		8.9 VA	7.3 VA
0820019990	-	-	-		-	-
0820019115	-	-	4.8 W		-	-
0820019114	-10% / +10%		-		8.9 VA	7.3 VA
0820019991	-	-	-		-	-

Part No.	Switch-on power		Nominal resistance	Working pressure min./max.
	AC 50 Hz			
0820019006	-		121 Ω	0 ... 10 bar
0820019014	-		223 Ω	2 ... 7 bar

Part No.	Switch-on power	Switch-on power	Nominal resistance	Working pressure min./max.
	AC 50 Hz	AC 60 Hz		
0820019001	12.6 VA	10.7 VA	2450 Ω	0 ... 10 bar
0820019005	12 VA	9.9 VA	26 Ω	0 ... 10 bar
0820019990	-	-	-	0 ... 10 bar
0820019115	-	-	121 Ω	0 ... 10 bar
0820019114	12 VA	9.9 VA	-	0 ... 10 bar
0820019991	-	-	-	0 ... 10 bar

Part No.	Compatibility index	Protection class	basic valve with electrical connector
		with connection	
0820019006	14	IP65	-
0820019014	13	IP65	-
0820019001	14	IP65	-
0820019005	14	IP65	-
0820019990	14	-	Basic valve without coil
0820019115	14	IP65	-
0820019114	14	IP65	-
0820019991	14	-	Basic valve without coil

Part No.	Power consumption	ATEX	Weight
0820019006	-	-	0.134 kg
0820019014	Low power consumption	-	0.134 kg
0820019001	-	-	0.134 kg
0820019005	-	-	0.134 kg
0820019990	-	suitable for ATEX	0.08 kg
0820019115	-	-	0.134 kg
0820019114	-	-	0.134 kg
0820019991	-	suitable for ATEX	0.08 kg

Nominal flow Q_n at 6 bar and $\Delta p = 1$ bar, MO = Manual override

Technical information

The min. control pressure must be adhered to, since otherwise faulty switching and valve failure may result!

The pressure dew point must be at least 15 °C under ambient and medium temperature and may not exceed 3 °C .

The oil content of compressed air must remain constant during the life cycle.

Use only the approved oils from AVENTICS. Further information can be found in the "Technical information" document (available in the MediaCentre).

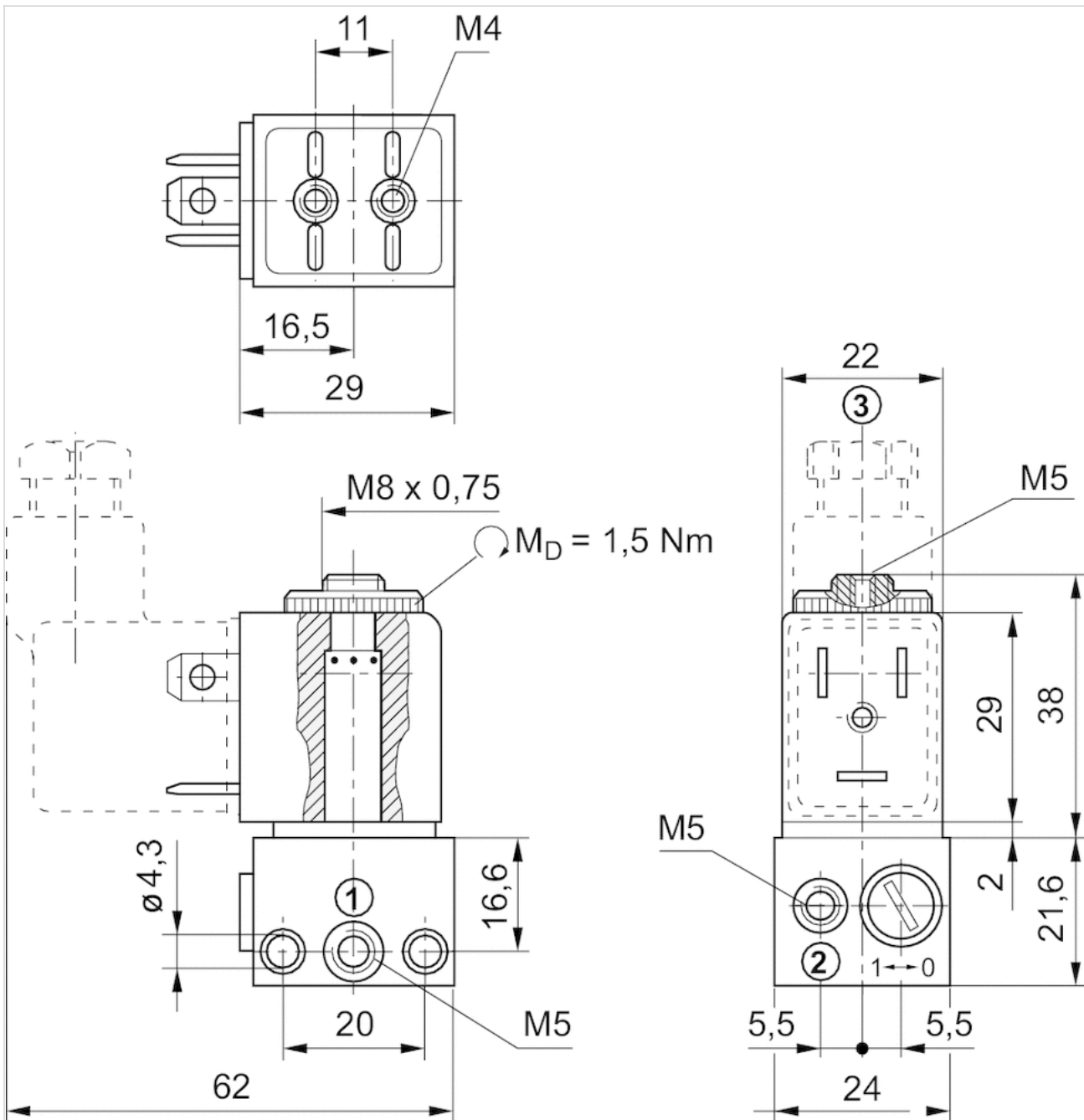
If the valves are blocked, the permissible ambient temperature drops to 35°C with a 100% duty cycle.

Technical information

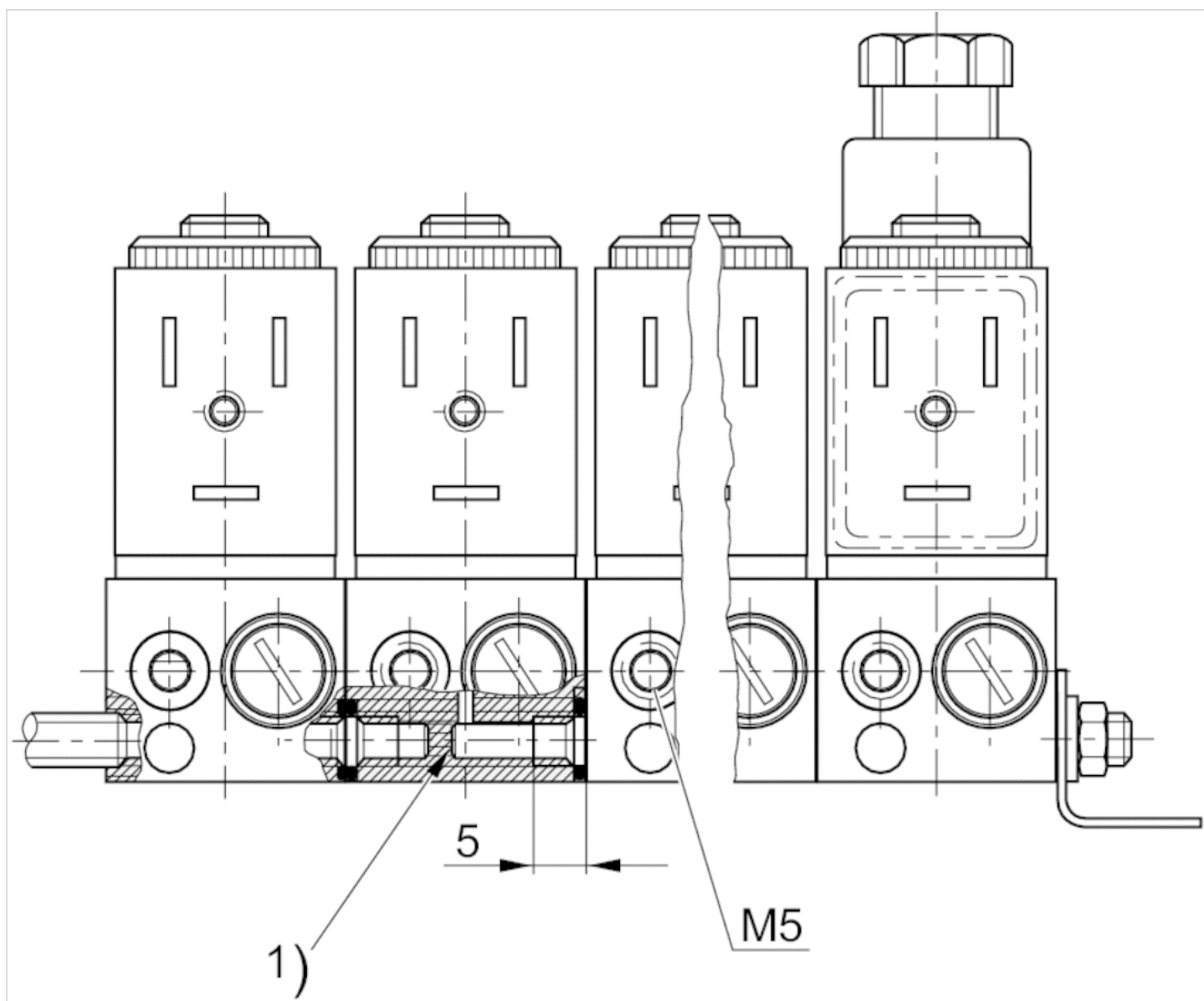
Material	
Housing	Die cast zinc
Seals	Fluorocaoutchouc

Dimensions

Dimensions



Overview drawing



Before assembly, the blanking tab must be broken through with a punch ($\varnothing 4$ mm).

3/2-directional valve, Series DO22

- 3/2
- Plate connection
- Electrical connection : Plug, ISO 6952, form B
- Manual override : with detent without
- With spring return



Version	Poppet valve
Activation	Electrically
Sealing principle	Soft sealing
Working pressure min./max.	See table below
Ambient temperature min./max.	-10 ... 50 °C
Medium temperature min./max.	-10 ... 50 °C
Medium	Compressed air
Max. particle size	5 µm
Oil content of compressed air	0 ... 5 mg/m ³
Nominal flow 1 ▶ 2	48 l/min
Nominal flow 2 ▶ 3	56 l/min
Protection class with connection	IP65
Compatibility index	See table below
Duty cycle	100 %
Mounting on manifold strip mounting screws	PRS strip M3

Technical data

Part No.		MO	Operational voltage	Voltage tolerance
			DC	DC
0820046005			24 V	-10% / +10%
0820046002			24 V	-10% / +10%
0820046980			-	-
0820046101			24 V	-10% / +10%
0820046990			-	-
0820046991		-	-	-

Part No.	Power consumption	Working pressure min./max.	Compatibility index
	DC		
0820046005	2.6 W	2 ... 7 bar	13
0820046002	4.8 W	0 ... 10 bar	14
0820046980	-	0 ... 10 bar	14
0820046101	4.8 W	0 ... 10 bar	14
0820046990	-	0 ... 10 bar	14
0820046991	-	0 ... 10 bar	14

Part No.	basic valve with electrical connector	Power consumption	ATEX
0820046005	-	Low power consumption	-
0820046002	-	-	-
0820046980	Basic valve without coil	-	suitable for ATEX

Part No.	basic valve with electrical connector	Power consumption	ATEX
0820046101	-	-	-
0820046990	Basic valve without coil	-	suitable for ATEX
0820046991	Basic valve without coil	-	suitable for ATEX

Nominal flow Qn at 6 bar and $\Delta p = 1$ bar, MO = Manual override

Technical information

The min. control pressure must be adhered to, since otherwise faulty switching and valve failure may result!

The pressure dew point must be at least 15 °C under ambient and medium temperature and may not exceed 3 °C .

The oil content of compressed air must remain constant during the life cycle.

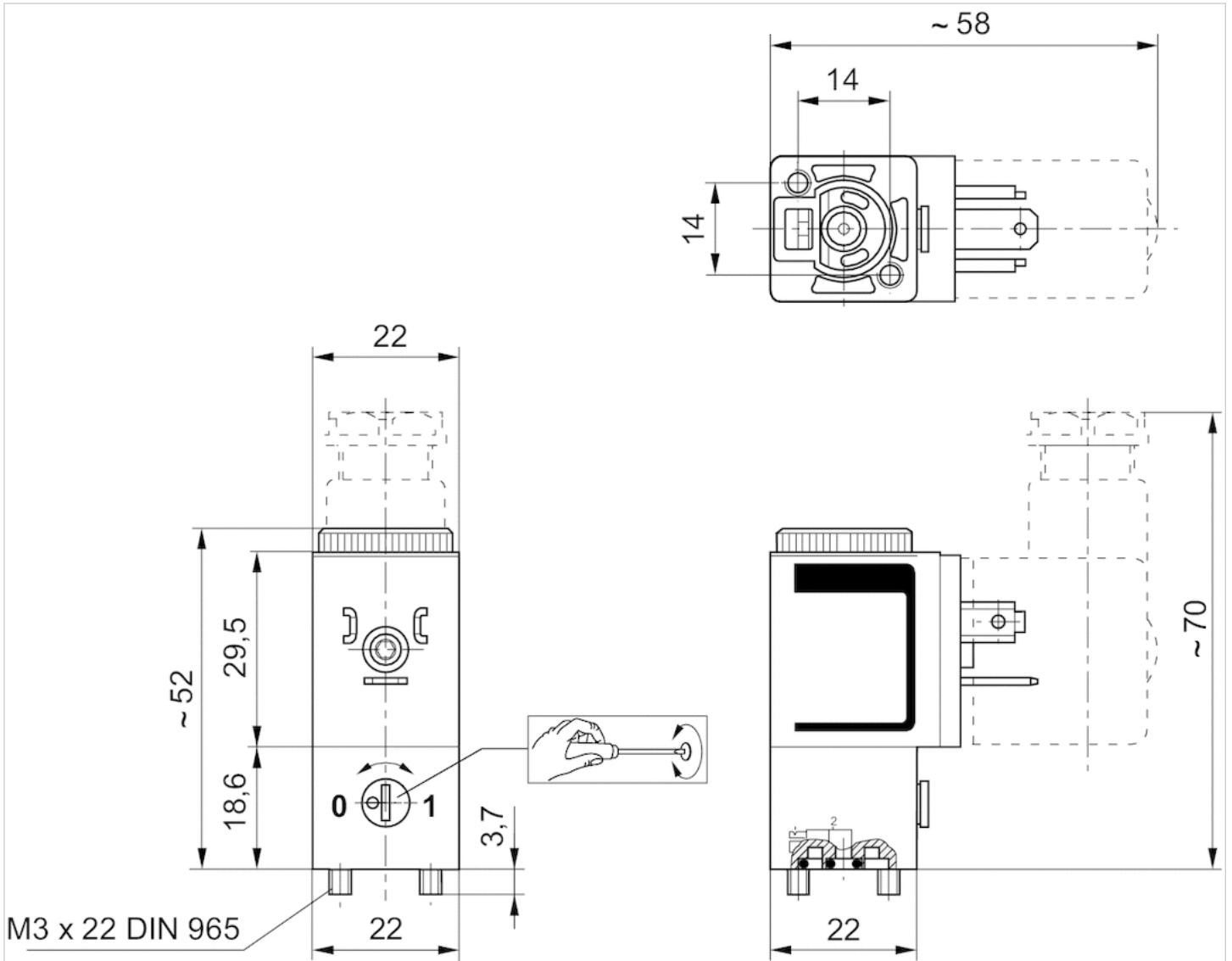
Use only the approved oils from AVENTICS. Further information can be found in the "Technical information" document (available in the MediaCentre).

Technical information

Material	
Housing	Plastic
Seals	Fluorocaoutchouc

Dimensions

Dimensions











3/2-directional valve, Series DO22

- 3/2
- Pipe connection
- Compressed air connection output : G 1/8
- Electrical connection : Plug, ISO 6952, form B
- Manual override : with detent without
- With spring return



Version	Poppet valve
Activation	Electrically
Sealing principle	Soft sealing
Working pressure min./max.	See table below
Ambient temperature min./max.	-10 ... 50 °C
Medium temperature min./max.	-10 ... 50 °C
Medium	Compressed air
Max. particle size	5 µm
Oil content of compressed air	0 ... 5 mg/m ³
Nominal flow 1 ▶ 2	See table below
Nominal flow 2 ▶ 3	See table below
Protection class with connection	IP65
Compatibility index	See table below
Duty cycle	100 %
mounting screws	M4
Weight	0.11 kg

Technical data

Part No.	MO	Compressed air connection	
		Input	Output
0820019312		G 1/8	G 1/8
0820019311		G 1/8	G 1/8
0820019314		G 1/8	G 1/8
0820019313		G 1/8	G 1/8
0820019310		G 1/8	G 1/8
0820019361		M5	G 1/8
0820019976		G 1/8	G 1/8
0820019978		G 1/8	G 1/8
0820019302	—	G 1/8	G 1/8
0820019327	—	G 1/8	G 1/8
0820019301	—	G 1/8	G 1/8
0820019304	—	G 1/8	G 1/8
0820019303	—	G 1/8	G 1/8
0820019300	—	G 1/8	G 1/8
0820019975	—	G 1/8	G 1/8

Part No.	Compressed air connection		Operational voltage	Operational voltage
	Exhaust			
0820019312	M5		-	24 V
0820019311	M5		24 V	-

Part No.	Compressed air connection	Operational voltage	Operational voltage
	Exhaust	DC	AC 50 Hz
0820019314	M5	24 V	-
0820019313	M5	-	-
0820019310	M5	-	230 V
0820019361	G 1/8	24 V	-
0820019976	M5	-	-
0820019978	M5	-	-
0820019302	M5	-	24 V
0820019327	M5	-	24 V
0820019301	M5	24 V	-
0820019304	M5	24 V	-
0820019303	M5	-	-
0820019300	M5	-	230 V
0820019975	M5	-	-

Part No.	Operational voltage	Voltage tolerance	Voltage tolerance	Voltage tolerance
	AC 60 Hz	DC	AC 50 Hz	AC 60 Hz
0820019312	-	-	-10% / +10%	-
0820019311	-	-10% / +10%	-	-
0820019314	-	-10% / +10%	-	-
0820019313	110 V	-	-	-10% / +10%
0820019310	-	-	-10% / +10%	-
0820019361	-	-10% / +10%	-	-
0820019976	-	-	-	-
0820019978	-	-	-	-
0820019302	-	-	-10% / +10%	-
0820019327	-	-	-10% / +10%	-
0820019301	-	-10% / +10%	-	-
0820019304	-	-10% / +10%	-	-
0820019303	110 V	-	-	-10% / +10%
0820019300	-	-	-10% / +10%	-
0820019975	-	-	-	-

Part No.	Power consumption	Holding power	Holding power	Switch-on power
	DC	AC 50 Hz	AC 60 Hz	AC 50 Hz
0820019312	-	8.5 VA	-	11 VA
0820019311	4.8 W	-	-	-
0820019314	2.6 W	-	-	-
0820019313	-	-	6.9 VA	-
0820019310	-	9.7 VA	-	12.6 VA
0820019361	4.8 W	-	-	-
0820019976	-	-	-	-
0820019978	-	-	-	-
0820019302	-	8.5 VA	-	11 VA
0820019327	-	8.5 VA	-	11 VA
0820019301	4.8 W	-	-	-
0820019304	2.6 W	-	-	-
0820019303	-	-	6.9 VA	-

Part No.	Power consumption	Holding power	Holding power	Switch-on power
	DC	AC 50 Hz	AC 60 Hz	AC 50 Hz
0820019300	-	9.7 VA	-	12.6 VA
0820019975	-	-	-	-

Part No.	Switch-on power	Nominal flow 1 ▶ 2	Nominal flow 2 ▶ 3	Working pressure min./max.	Compatibility index
	AC 60 Hz				
0820019312	-	72 l/min	88 l/min	0 ... 7 bar	14
0820019311	-	72 l/min	88 l/min	0 ... 7 bar	14
0820019314	-	55 l/min	80 l/min	0 ... 7 bar	13
0820019313	9.4 VA	72 l/min	88 l/min	0 ... 7 bar	14
0820019310	-	72 l/min	88 l/min	0 ... 7 bar	14
0820019361	-	82 l/min	57 l/min	0 ... 7 bar	14
0820019976	-	72 l/min	88 l/min	0 ... 7 bar	14
0820019978	-	55 l/min	80 l/min	0 ... 10 bar	14
0820019302	-	72 l/min	88 l/min	0 ... 7 bar	14
0820019327	-	55 l/min	80 l/min	0 ... 10 bar	14
0820019301	-	72 l/min	88 l/min	0 ... 7 bar	14
0820019304	-	55 l/min	80 l/min	0 ... 7 bar	13
0820019303	9.4 VA	72 l/min	88 l/min	0 ... 7 bar	14
0820019300	-	72 l/min	88 l/min	0 ... 7 bar	14
0820019975	-	72 l/min	88 l/min	0 ... 7 bar	14

Part No.	basic valve with electrical connector	Power consumption	ATEX
0820019312	-	-	-
0820019311	-	-	-
0820019314	-	Low power consumption	-
0820019313	-	-	-
0820019310	-	-	-
0820019361	-	-	-
0820019976	Basic valve without coil	-	suitable for ATEX
0820019978	Basic valve without coil	-	suitable for ATEX
0820019302	-	-	-
0820019327	-	-	-
0820019301	-	-	-
0820019304	-	Low power consumption	-
0820019303	-	-	-
0820019300	-	-	-
0820019975	Basic valve without coil	-	suitable for ATEX

Nominal flow Qn at 6 bar and $\Delta p = 1$ bar, MO = Manual override

Technical information

The min. control pressure must be adhered to, since otherwise faulty switching and valve failure may result!

The pressure dew point must be at least 15 °C under ambient and medium temperature and may not exceed 3 °C .

The oil content of compressed air must remain constant during the life cycle.

Use only the approved oils from AVENTICS. Further information can be found in the "Technical information" document (available in the MediaCentre).













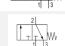


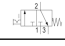



3/2-directional valve, Series DO22

- 3/2
- Plate valve with pipe connection
- Electrical connection : Plug, ISO 6952, form B
- Manual override : with detent without
- With spring return



Version	Poppet valve
Activation	Electrically
Sealing principle	Soft sealing
Working pressure min./max.	See table below
Ambient temperature min./max.	-10 ... 50 °C
Medium temperature min./max.	-10 ... 50 °C
Medium	Compressed air
Max. particle size	5 µm
Oil content of compressed air	0 ... 5 mg/m ³
Nominal flow 1 ▶ 2	See table below
Nominal flow 2 ▶ 3	See table below
Protection class with connection	IP65
Compatibility index	See table below
Duty cycle	100 %
mounting screws	M3
Weight	See table below

Technical data

Part No.		MO	Compressed air connection	
			Input	Exhaust
0820019641			-	M5
0820019644			-	M5
0820019642			-	M5
0820019640			-	M5
0820019968			-	M5
0820019691			M5	-
0820019631		-	-	M5
0820019967		-	-	M5
0820019681		-	M5	-
0820019616			-	M5
0820019965			-	M5

Part No.	Operational voltage		Voltage tolerance
	DC	AC 50 Hz	
0820019641	24 V	-	-10% / +10%
0820019644	24 V	-	-10% / +10%
0820019642	-	24 V	-
0820019640	-	230 V	-
0820019968	-	-	-
0820019691	24 V	-	-10% / +10%
0820019631	24 V	-	-10% / +10%

Part No.	Operational voltage	Operational voltage	Voltage tolerance
	DC	AC 50 Hz	DC
0820019967	-	-	-
0820019681	24 V	-	-10% / +10%
0820019616	24 V	-	-10% / +10%
0820019965	-	-	-

Part No.	Voltage tolerance	Power consumption	Holding power	Holding power
	AC 50 Hz	DC	AC 50 Hz	AC 60 Hz
0820019641	-	4.8 W	-	-
0820019644	-	2.6 W	-	-
0820019642	-10% / +10%	-	8.5 VA	7.3 VA
0820019640	-10% / +10%	-	9.7 VA	-
0820019968	-	-	-	-
0820019691	-	4.8 W	-	-
0820019631	-	4.8 W	-	-
0820019967	-	-	-	-
0820019681	-	4.8 W	-	-
0820019616	-	4.8 W	-	-
0820019965	-	-	-	-

Part No.	Switch-on power	Switch-on power	Nominal flow 1 ► 2	Nominal flow 2 ► 3
	AC 50 Hz	AC 60 Hz		
0820019641	-	-	61 l/min	74 l/min
0820019644	-	-	61 l/min	74 l/min
0820019642	12 VA	9.9 VA	61 l/min	74 l/min
0820019640	12.6 VA	-	61 l/min	74 l/min
0820019968	-	-	61 l/min	74 l/min
0820019691	-	-	61 l/min	74 l/min
0820019631	-	-	61 l/min	74 l/min
0820019967	-	-	61 l/min	74 l/min
0820019681	-	-	61 l/min	74 l/min
0820019616	-	-	75 l/min	77 l/min
0820019965	-	-	75 l/min	77 l/min

Part No.	Working pressure min./max.	Compatibility index	basic valve with electrical connector
0820019641	0 ... 10 bar	14	-
0820019644	0 ... 7 bar	13	-
0820019642	0 ... 10 bar	14	-
0820019640	0 ... 10 bar	14	-
0820019968	0 ... 10 bar	14	Basic valve without coil
0820019691	0 ... 10 bar	14	-
0820019631	0 ... 10 bar	14	-
0820019967	0 ... 10 bar	14	Basic valve without coil
0820019681	0 ... 10 bar	14	-
0820019616	0 ... 7 bar	14	-
0820019965	0 ... 7 bar	14	Basic valve without coil

Part No.	Power consumption	ATEX	Weight	
0820019641	-	-	0.096 kg	-
0820019644	Low power consumption	-	0.096 kg	-
0820019642	-	-	0.096 kg	-
0820019640	-	-	0.096 kg	-
0820019968	-	suitable for ATEX	0.041 kg	1)
0820019691	-	-	0.096 kg	-
0820019631	-	-	0.096 kg	-
0820019967	-	suitable for ATEX	0.041 kg	1)
0820019681	-	-	0.096 kg	-
0820019616	-	-	0.096 kg	-
0820019965	-	suitable for ATEX	0.041 kg	1)

Nominal flow Q_n at 6 bar and $\Delta p = 1$ bar, MO = Manual override

1) cannot be combined with coil with low power consumption

Technical information

The min. control pressure must be adhered to, since otherwise faulty switching and valve failure may result!

The pressure dew point must be at least 15 °C under ambient and medium temperature and may not exceed 3 °C .

The oil content of compressed air must remain constant during the life cycle.

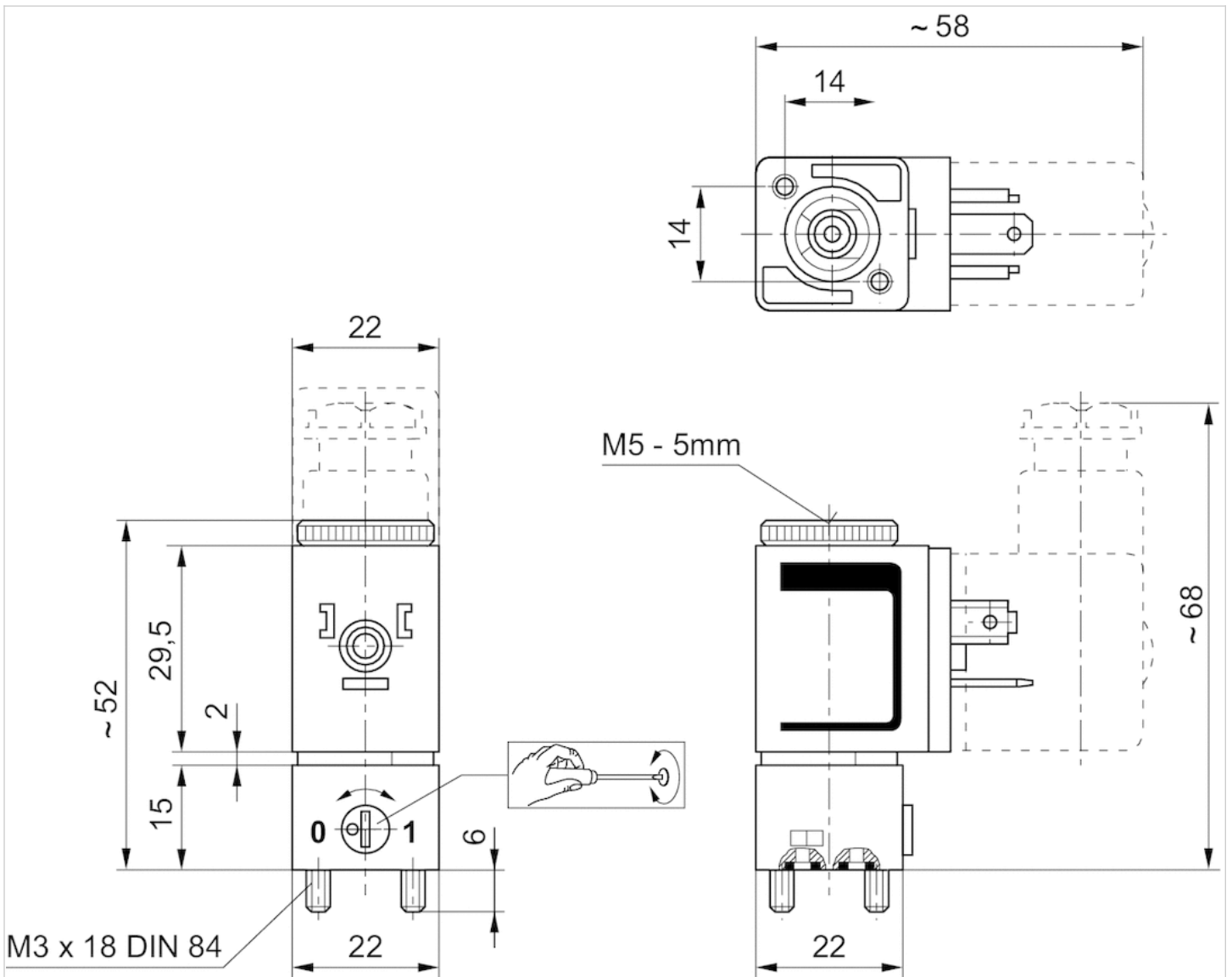
Use only the approved oils from AVENTICS. Further information can be found in the "Technical information" document (available in the MediaCentre).

Technical information

Material	
Housing	Plastic
Seals	Fluorocautchouc

Dimensions

Dimensions







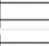






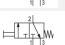

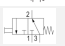

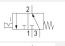










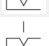






3/2-directional valve, Series DO30

- 3/2
- Pilot valve width : 30 mm
- Plate valve with pipe connection
- Compressed air connection output : CNOMO
- Electrical connection : Plug, EN 175301-803, form A
- Manual override : without detent with detent
- With spring return



Version	Poppet valve
Activation	Electrically
Sealing principle	Soft sealing
Standards	CNOMO / NFE 49-003-1
Working pressure min./max.	0 ... 10 bar
Ambient temperature min./max.	-10 ... 50 °C
Medium temperature min./max.	-10 ... 50 °C
Medium	Compressed air
Max. particle size	5 µm
Oil content of compressed air	0 ... 5 mg/m ³
Nominal flow 1 ▶ 2	See table below
Nominal flow 2 ▶ 3	See table below
Protection class with connection	IP65
Compatibility index	See table below
Duty cycle	100 %
Mounting on manifold strip	P-strip
mounting screws	M4
Weight	See table below

Technical data

Part No.		MO	Compressed air connection	
			Input	Output
0820019527			CNOMO	CNOMO
0820019526			CNOMO	CNOMO
0820019529			CNOMO	CNOMO
0820019528			CNOMO	CNOMO
0820019525			CNOMO	CNOMO
0820019985			CNOMO	CNOMO
0820019986			CNOMO	CNOMO
0820019987			M5	CNOMO
0820019982			M5	CNOMO
0820019502			CNOMO	CNOMO
0820019501			CNOMO	CNOMO
0820019504			CNOMO	CNOMO
0820019503			CNOMO	CNOMO
0820019500			CNOMO	CNOMO
0820019980			CNOMO	CNOMO
0820019981			CNOMO	CNOMO

Part No.	Compressed air connection		Operational voltage	
	Exhaust		DC	AC 50 Hz
0820019527	M5		-	24 V
0820019526	M5		24 V	-
0820019529	M5		24 V	-
0820019528	M5		-	-
0820019525	M5		-	230 V
0820019985	M5		-	-
0820019986	M5		-	-
0820019987	CNOMO		-	-
0820019982	CNOMO		-	-
0820019502	M5		-	24 V
0820019501	M5		24 V	-
0820019504	M5		24 V	-
0820019503	M5		-	-
0820019500	M5		-	230 V
0820019980	M5		-	-
0820019981	M5		-	-

Part No.	Operational voltage		Voltage tolerance	
	AC 60 Hz		AC 50 Hz	AC 60 Hz
0820019527	-		-10% / +10%	-
0820019526	-		-	-
0820019529	-		-	-
0820019528	110 V		-	-10% / +10%
0820019525	-		-10% / +10%	-
0820019985	-		-	-
0820019986	-		-	-

Part No.	Operational voltage	Voltage tolerance	
		AC 50 Hz	AC 60 Hz
0820019987	-	-	-
0820019982	-	-	-
0820019502	-	-10% / +10%	-
0820019501	-	-	-
0820019504	-	-	-
0820019503	110 V	-	-10% / +10%
0820019500	-	-10% / +10%	-
0820019980	-	-	-
0820019981	-	-	-

Part No.	Power consumption	Holding power	Holding power	Switch-on power
	DC	AC 50 Hz	AC 60 Hz	AC 50 Hz
0820019527	-	8 VA	-	11.5 VA
0820019526	4.5 W	-	-	-
0820019529	2.7 W	-	-	-
0820019528	-	-	5.6 VA	-
0820019525	-	9.1 VA	-	12.6 VA
0820019985	-	-	-	-
0820019986	-	-	-	-
0820019987	-	-	-	-
0820019982	-	-	-	-
0820019502	-	8 VA	-	11.5 VA
0820019501	4.5 W	-	-	-
0820019504	2.7 W	-	-	-
0820019503	-	-	5.6 VA	-
0820019500	-	9.1 VA	-	12.6 VA
0820019980	-	-	-	-
0820019981	-	-	-	-

Part No.	Switch-on power	Nominal flow 1 ▶ 2	Nominal flow 2 ▶ 3	Compatibility index
	AC 60 Hz			
0820019527	-	68 l/min	90 l/min	15
0820019526	-	68 l/min	90 l/min	15
0820019529	-	54 l/min	80 l/min	14
0820019528	9.5 VA	68 l/min	90 l/min	15
0820019525	-	68 l/min	90 l/min	15
0820019985	-	68 l/min	90 l/min	15
0820019986	-	54 l/min	80 l/min	14
0820019987	-	72 l/min	105 l/min	15
0820019982	-	72 l/min	105 l/min	15
0820019502	-	65 l/min	80 l/min	15
0820019501	-	65 l/min	80 l/min	15
0820019504	-	54 l/min	80 l/min	14
0820019503	9.5 VA	65 l/min	80 l/min	15
0820019500	-	65 l/min	80 l/min	15
0820019980	-	65 l/min	80 l/min	15
0820019981	-	54 l/min	80 l/min	14

Part No.	basic valve with electrical connector	Power consumption	ATEX
0820019527	-	Higher voltage tolerance	-
0820019526	-	Higher voltage tolerance	-
0820019529	-	Low power consumption	-
0820019528	-	Higher voltage tolerance	-
0820019525	-	Higher voltage tolerance	-
0820019985	Basic valve without coil	Higher voltage tolerance	suitable for ATEX
0820019986	Basic valve without coil	Low power consumption	suitable for ATEX
0820019987	Basic valve without coil	Higher voltage tolerance	suitable for ATEX
0820019982	Basic valve without coil	Higher voltage tolerance	suitable for ATEX
0820019502	-	Higher voltage tolerance	-
0820019501	-	Higher voltage tolerance	-
0820019504	-	Low power consumption	-
0820019503	-	Higher voltage tolerance	-
0820019500	-	Higher voltage tolerance	-
0820019980	Basic valve without coil	Higher voltage tolerance	suitable for ATEX
0820019981	Basic valve without coil	Low power consumption	suitable for ATEX

Part No.	Weight	
0820019527	0.16 kg	-
0820019526	0.16 kg	-
0820019529	0.16 kg	-
0820019528	0.16 kg	-
0820019525	0.16 kg	-
0820019985	0.06 kg	1)
0820019986	0.07 kg	-
0820019987	0.08 kg	-
0820019982	0.06 kg	-
0820019502	0.16 kg	-
0820019501	0.16 kg	-
0820019504	0.16 kg	-
0820019503	0.16 kg	-
0820019500	0.16 kg	-
0820019980	0.06 kg	1)
0820019981	0.06 kg	-

Nominal flow Q_n at 6 bar and $\Delta p = 1$ bar, MO = Manual override

1) pilot valve without coil

Technical information

The min. control pressure must be adhered to, since otherwise faulty switching and valve failure may result!

The pressure dew point must be at least 15 °C under ambient and medium temperature and may not exceed 3 °C .

The oil content of compressed air must remain constant during the life cycle.

Use only the approved oils from AVENTICS. Further information can be found in the "Technical information" document (available in the MediaCentre).

ATEX optional: ATEX version can be produced by combining the basic valve without coil with an ATEX coil. ATEX ID: see ATEX coils catalog page.

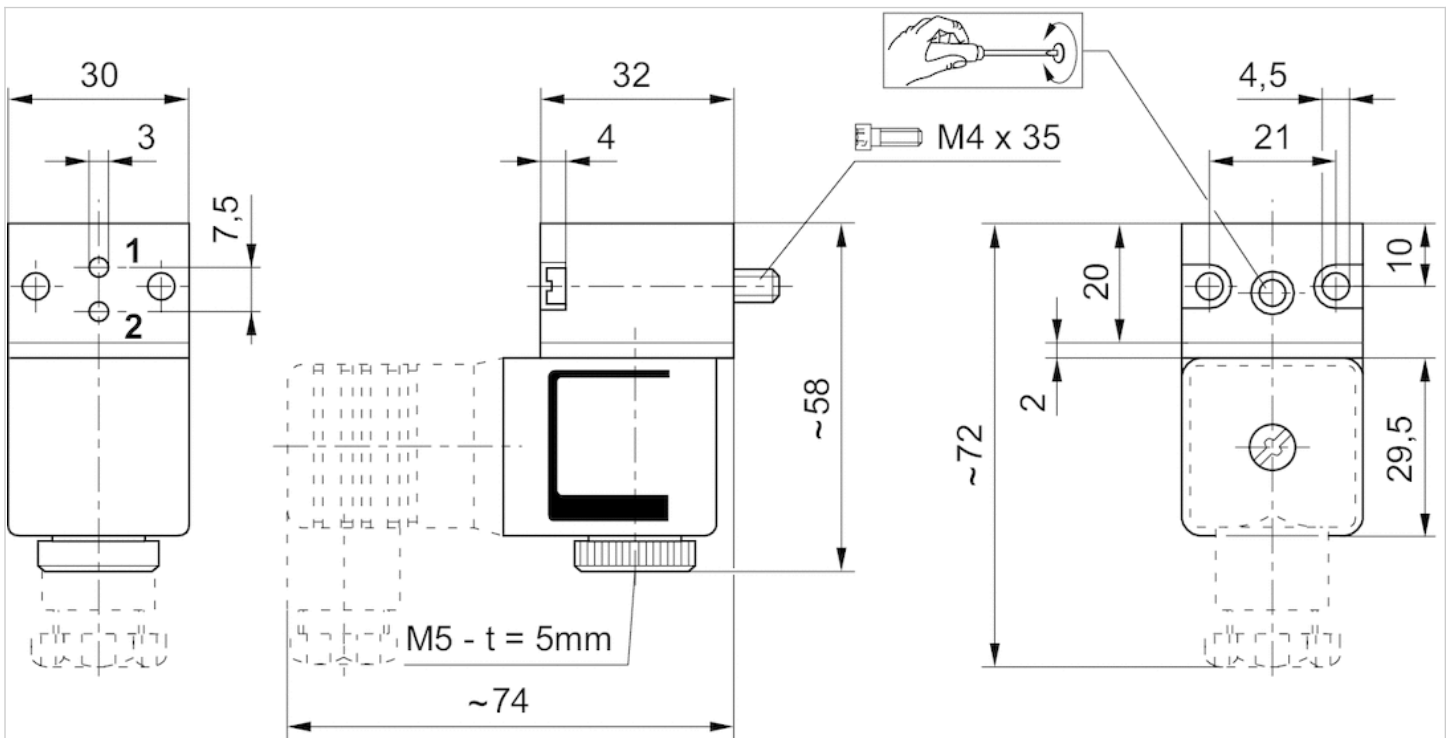
Technical information

Material

Housing	Plastic
Seals	Fluorocaoutchouc

Dimensions

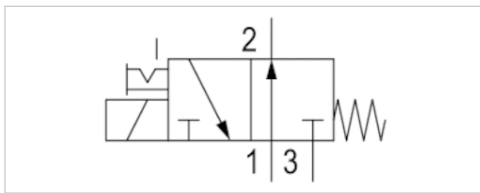
Dimensions



t = depth









3/2-directional valve, Series DO35

- 3/2
- NO
- Pipe connection
- Compressed air connection output : G 1/8
- Electrical connection : Plug, EN 175301-803, form A
- Can be assembled into blocks
- Manual override : with detent
- With spring return



Version	Poppet valve
Activation	Electrically
Sealing principle	Soft sealing
Working pressure min./max.	0 ... 10 bar
Ambient temperature min./max.	-10 ... 50 °C
Medium temperature min./max.	-10 ... 50 °C
Medium	Compressed air
Max. particle size	5 µm
Oil content of compressed air	0 ... 5 mg/m ³
Nominal flow 1 ► 2	110 l/min
Nominal flow 2 ► 3	130 l/min
Protection class with connection	IP65
Duty cycle	100 %
mounting screws	M5

Technical data

Part No.	MO		Compressed air connection	
			Input	Output
0820005201		NO	G 1/8	G 1/8
0820005203		NO	G 1/8	G 1/8
0820005202		NO	G 1/8	G 1/8
0820005200		NO	G 1/8	G 1/8
0820005251		NO	G 1/8	G 1/8
0820005253		NO	G 1/8	G 1/8
0820005252		NO	G 1/8	G 1/8
0820005250		NO	G 1/8	G 1/8

Part No.	Compressed air connection		Operational voltage	
	Exhaust		DC	AC 50 Hz
0820005201	G 1/8		24 V	-
0820005203	G 1/8		-	24 V
0820005202	G 1/8		-	-
0820005200	G 1/8		-	230 V
0820005251	G 1/8		24 V	-
0820005253	G 1/8		-	24 V

Part No.	Compressed air connection	Operational voltage	Operational voltage
	Exhaust		
0820005252	G 1/8	-	-
0820005250	G 1/8	-	230 V

Part No.	Operational voltage	Voltage tolerance	Voltage tolerance	Voltage tolerance
	AC 60 Hz	DC	AC 50 Hz	AC 60 Hz
0820005201	-	-10% / +10%	-	-
0820005203	-	-	-10% / +10%	-
0820005202	110 V	-	-	-10% / +10%
0820005200	-	-	-10% / +10%	-
0820005251	-	-10% / +10%	-	-
0820005253	-	-	-10% / +10%	-
0820005252	110 V	-	-	-10% / +10%
0820005250	-	-	-10% / +10%	-

Part No.	Power consumption	Holding power	Switch-on power
	DC	AC 50 Hz	AC 50 Hz
0820005201	8 W	-	-
0820005203	-	-	-
0820005202	-	-	-
0820005200	-	14 VA	21 VA
0820005251	8 W	-	-
0820005253	-	-	-
0820005252	-	-	-
0820005250	-	14 VA	21 VA

Part No.	Blocking principle	
0820005201	-	1)
0820005203	-	1)
0820005202	-	1)
0820005200	-	1)
0820005251	Single base plate principle	2)
0820005253	Single base plate principle	2)
0820005252	Single base plate principle	2)
0820005250	Single base plate principle	2)

Nominal flow Q_n at 6 bar and $\Delta p = 1$ bar, MO = Manual override

1) single connecting valve

2) manifold valve

Technical information

The min. control pressure must be adhered to, since otherwise faulty switching and valve failure may result!

The pressure dew point must be at least 15 °C under ambient and medium temperature and may not exceed 3 °C .

The oil content of compressed air must remain constant during the life cycle.

Use only the approved oils from AVENTICS. Further information can be found in the "Technical information" document (available in the MediaCentre).

Technical information

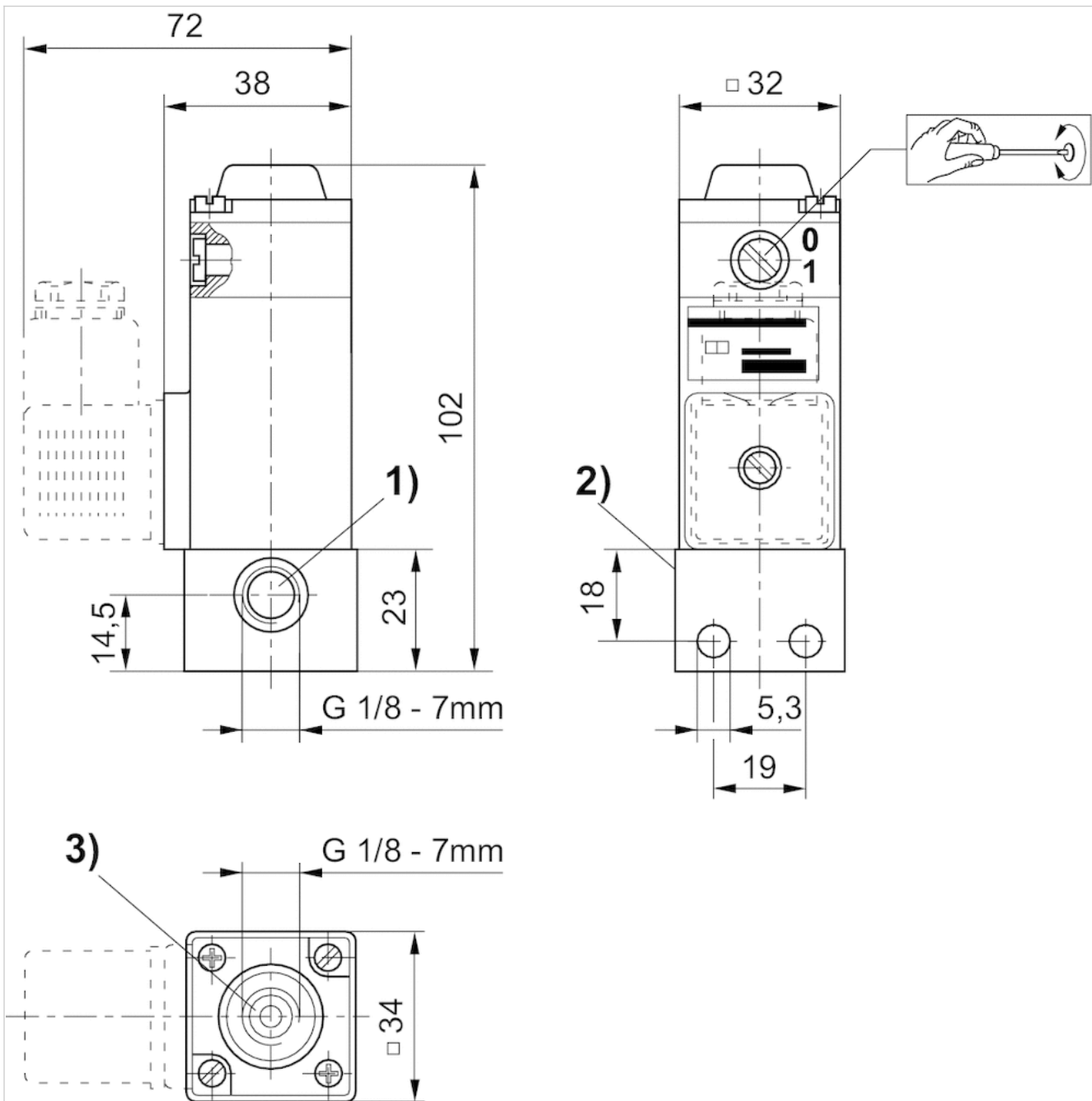
Material

Seals

Fluorocaoutchouc

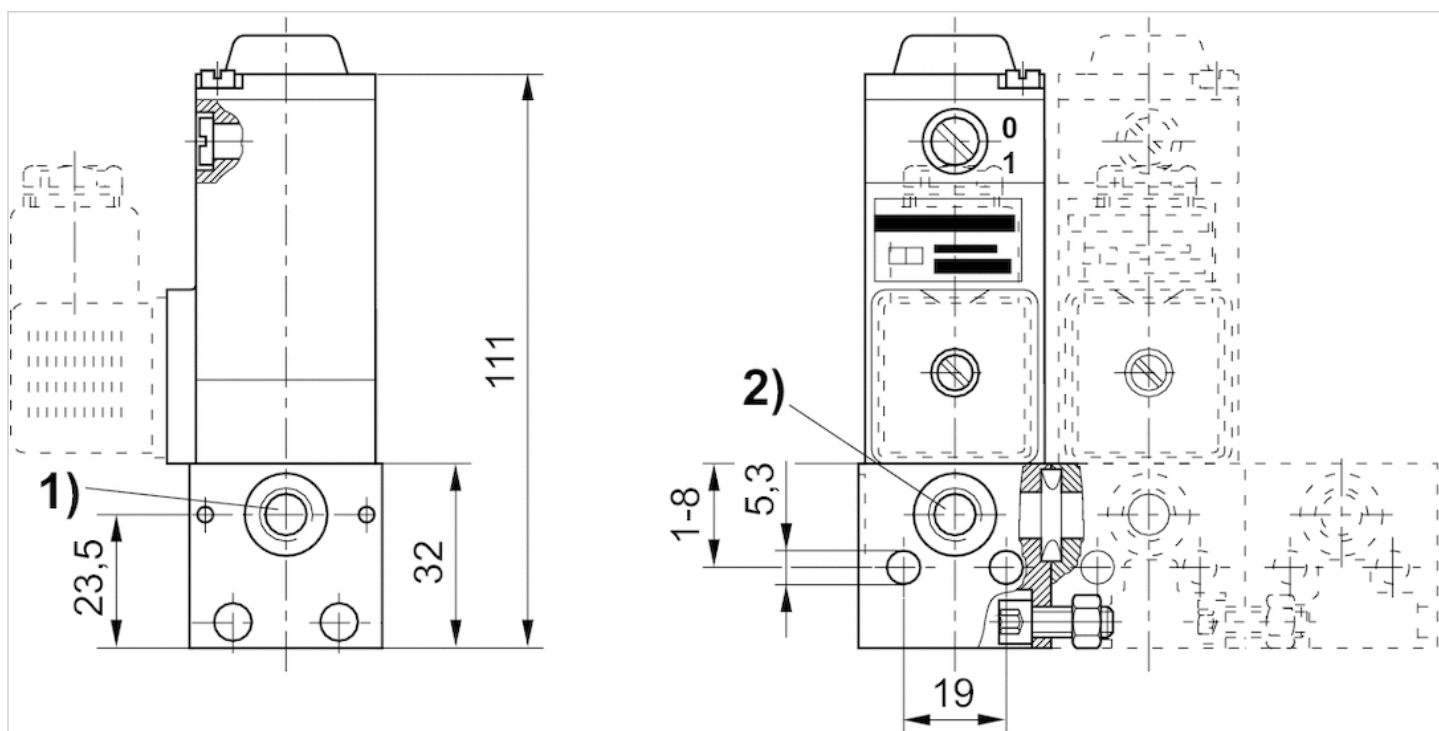
Dimensions

single connecting valve



- 1) Port 1 (Input)
- 2) Port 2 (Output)
- 3) Port 3 (Exhaust)

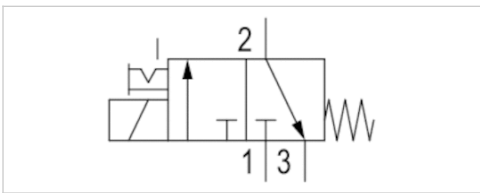
manifold valve



- 1) Port 1 (Input)
- 2) Port 2 (Output)









3/2-directional valve, Series DO35

- 3/2
- NC
- Pipe connection
- Compressed air connection output : G 1/8
- Electrical connection : Plug, EN 175301-803, form A
- Can be assembled into blocks
- Manual override : with detent
- With spring return



Version	Poppet valve
Activation	Electrically
Sealing principle	Soft sealing
Working pressure min./max.	0 ... 10 bar
Ambient temperature min./max.	-10 ... 50 °C
Medium temperature min./max.	-10 ... 50 °C
Medium	Compressed air
Max. particle size	5 µm
Oil content of compressed air	0 ... 5 mg/m ³
Nominal flow 1 ► 2	140 l/min
Nominal flow 2 ► 3	130 l/min
Protection class with connection	IP65
Duty cycle	100 %
mounting screws	M5

Technical data

Part No.	MO		Compressed air connection	
			Input	Output
0820005101		NC	G 1/8	G 1/8
0820005103		NC	G 1/8	G 1/8
0820005102		NC	G 1/8	G 1/8
0820005100		NC	G 1/8	G 1/8
0820005151		NC	G 1/8	G 1/8
0820005153		NC	G 1/8	G 1/8
0820005152		NC	G 1/8	G 1/8
0820005150		NC	G 1/8	G 1/8

Part No.	Compressed air connection		Operational voltage	
	Exhaust		DC	AC 50 Hz
0820005101	G 1/8		24 V	-
0820005103	G 1/8		-	24 V
0820005102	G 1/8		-	-
0820005100	G 1/8		-	230 V
0820005151	G 1/8		24 V	-
0820005153	G 1/8		-	24 V

Part No.	Compressed air connection	Operational voltage	Operational voltage
	Exhaust		
0820005152	G 1/8	-	-
0820005150	G 1/8	-	230 V

Part No.	Operational voltage	Voltage tolerance	Voltage tolerance	Voltage tolerance
	AC 60 Hz	DC	AC 50 Hz	AC 60 Hz
0820005101	-	-10% / +10%	-	-
0820005103	-	-	-10% / +10%	-
0820005102	110 V	-	-	-10% / +10%
0820005100	-	-	-10% / +10%	-
0820005151	-	-10% / +10%	-	-
0820005153	-	-	-10% / +10%	-
0820005152	110 V	-	-	-10% / +10%
0820005150	-	-	-10% / +10%	-

Part No.	Power consumption	Holding power	Switch-on power
	DC	AC 50 Hz	AC 50 Hz
0820005101	8 W	-	-
0820005103	-	14 VA	21 VA
0820005102	-	14 VA	21 VA
0820005100	-	14 VA	21 VA
0820005151	8 W	-	-
0820005153	-	14 VA	21 VA
0820005152	-	14 VA	21 VA
0820005150	-	14 VA	21 VA

Part No.	Blocking principle	
0820005101	-	1)
0820005103	-	1)
0820005102	-	1)
0820005100	-	1)
0820005151	Single base plate principle	2)
0820005153	Single base plate principle	2)
0820005152	Single base plate principle	2)
0820005150	Single base plate principle	2)

Nominal flow Q_n at 6 bar and $\Delta p = 1$ bar, MO = Manual override

- 1) single connecting valve
- 2) manifold valve

Technical information

The min. control pressure must be adhered to, since otherwise faulty switching and valve failure may result!

The pressure dew point must be at least 15 °C under ambient and medium temperature and may not exceed 3 °C .

The oil content of compressed air must remain constant during the life cycle.

Use only the approved oils from AVENTICS. Further information can be found in the "Technical information" document (available in the MediaCentre).

Technical information

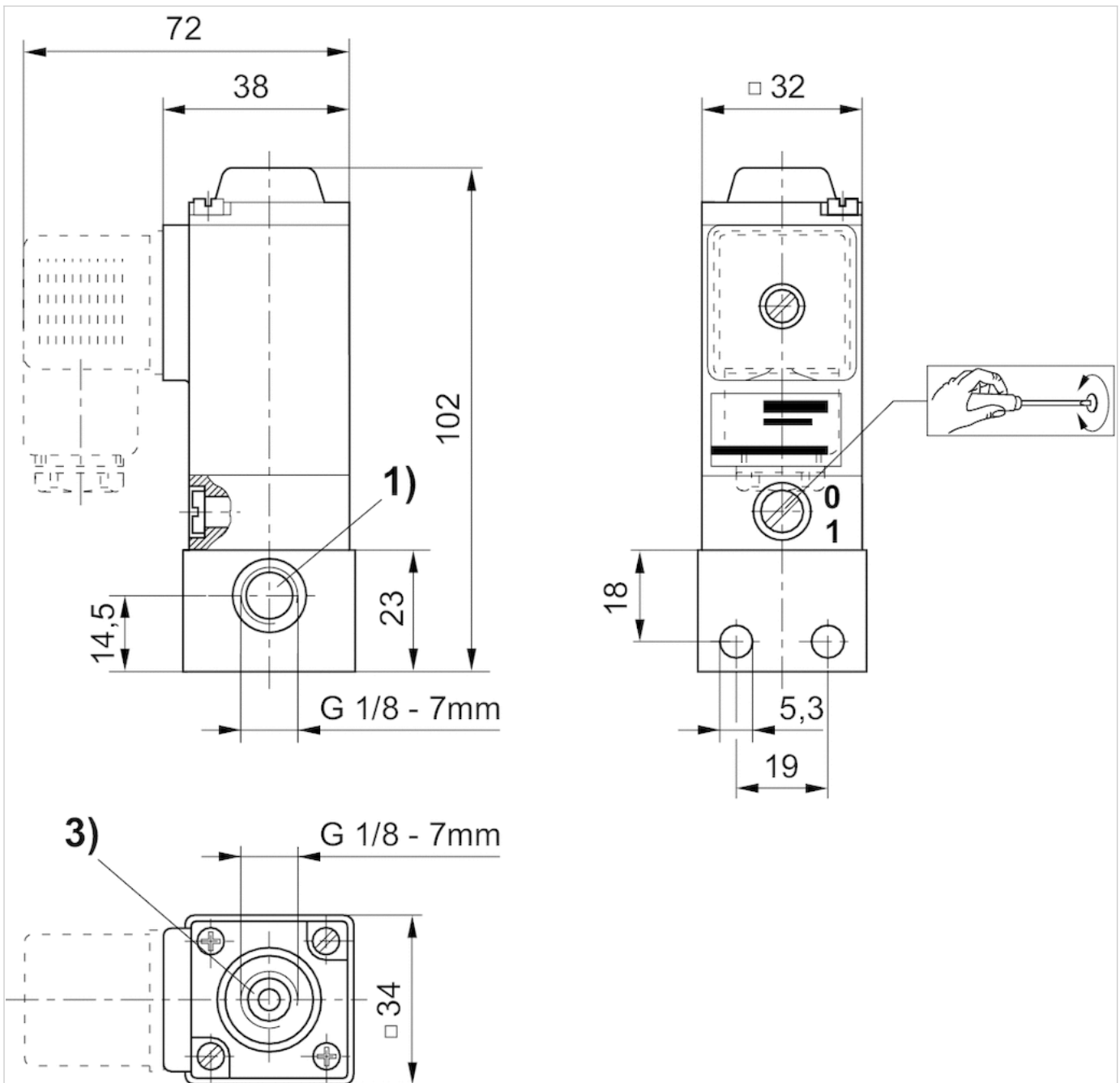
Material

Seals

Fluorocaoutchouc

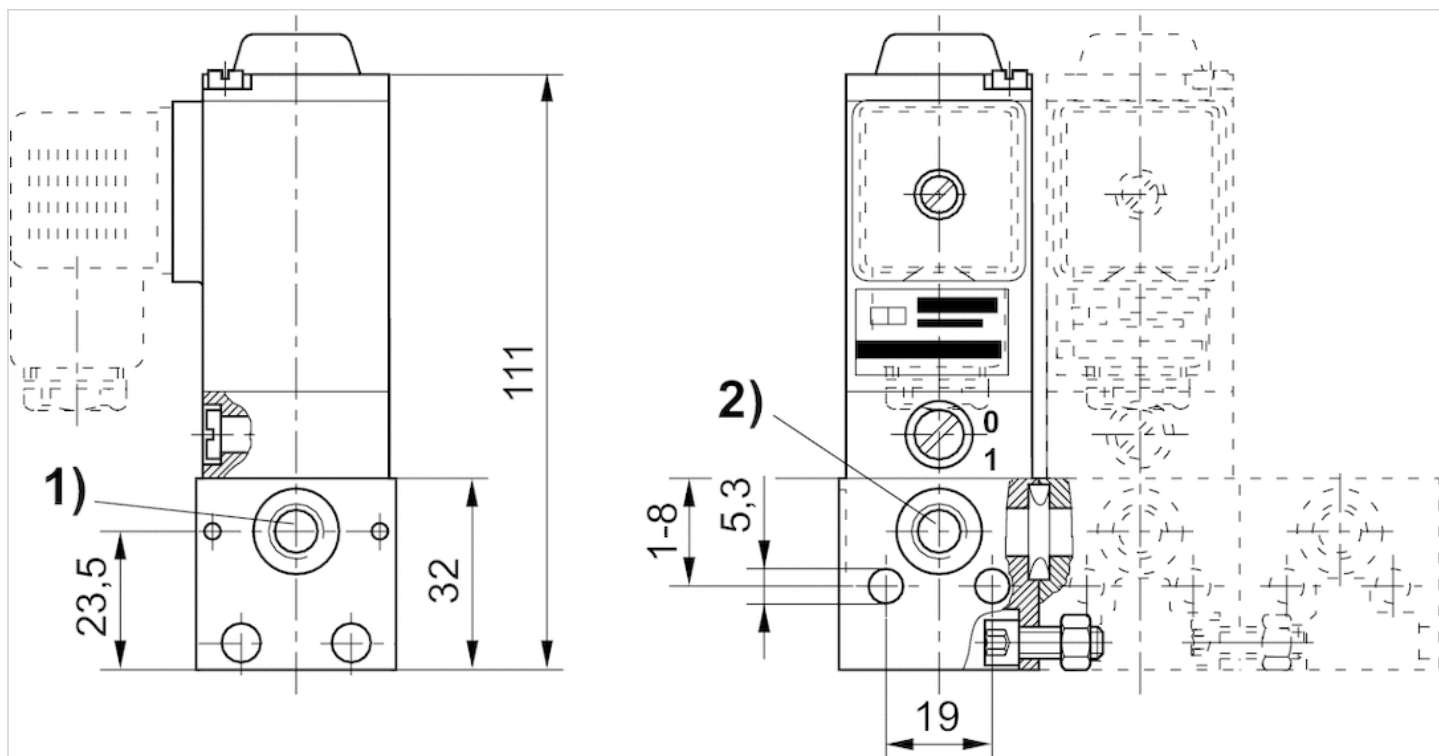
Dimensions

single connecting valve



- 1) Port 1 (Input)
- 3) Port 3 (Exhaust)

manifold valve



Scope of delivery: 2 screws M5x12, 2 nuts M5 DIN 934, 1 O-ring

1) Port 1 (Input)

2) Port 2 (Output)

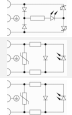


Valve plug connector, series CON-VP

- Socket, 2+E, angled, 90°
- EN 175301-803
- unshielded
- with LED Yellow Red



Connection type	Screws
Ambient temperature min./max.	-40 ... 90 °C
Operational voltage	See table below
Protection class	IP65
Mounting screw tightening torque	0.4 Nm
Weight	See table below

Technical data

Part No.		Operational voltage	Protective circuit	Contact assignment	LED status display
1834484101		24 V AC/DC	Z-diode	2+E	Yellow
1834484102		110 V AC	Varistor	2+E	Red
1834484103		230 V AC	Varistor	2+E	Red

Part No.	suitable cable-Ø min./max	Seal	Weight	
1834484101	6 / 8 mm	Silicone caoutchouc	0.03 kg	1)
1834484102	6 / 8 mm	caoutchouc/butadiene caoutchouc	0.03 kg	2)
1834484103	6 / 8 mm	Silicone caoutchouc	0.025 kg	2)

1) Flat gasket

2) Profile seal

Technical information

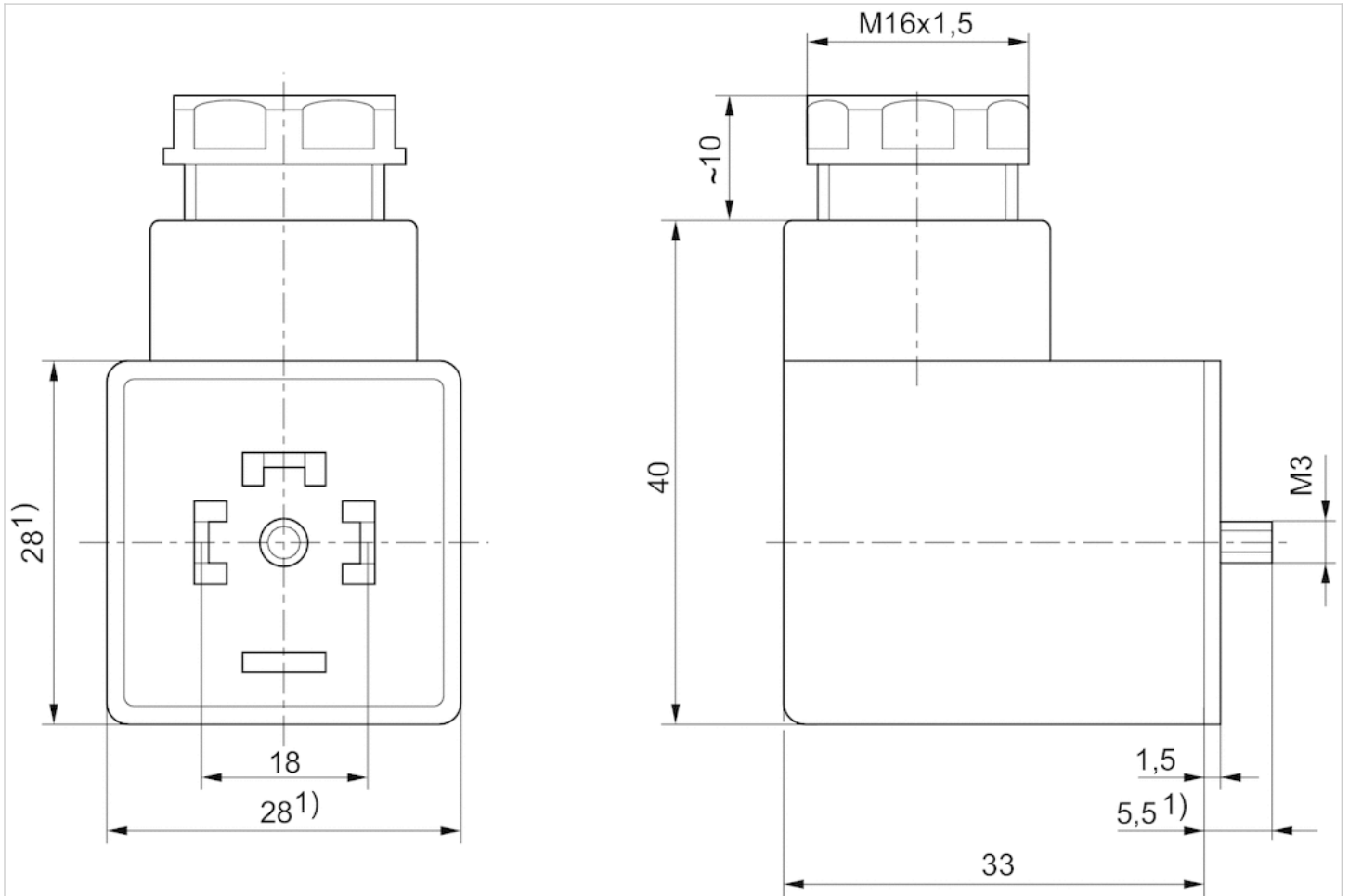
The specified protection class is only valid in assembled and tested state.

Technical information

Material	
Seals	Silicone caoutchouc caoutchouc/butadiene caoutchouc

Dimensions

Dimensions



1) Max.

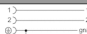


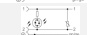

Valve plug connector, series CON-VP

- Socket form A 2+E angled 90°
- open cable ends 3-pin
- with cable
- unshielded



Ambient temperature min./max.	-20 ... 80 °C
Operational voltage	See table below
Protection class	IP67
Wire cross-section	0.75 mm ²
Mounting screw tightening torque	0.4 Nm
Weight	See table below

Technical data

Part No.		Operational voltage	Protective circuit	Contact assignment	LED status display
1834484160		230 V AC/DC	-	2+E	-
1834484162		24 V AC/DC	Z-diode	2+E	Yellow
1834484163		24 V AC/DC	Z-diode	2+E	Yellow
1834484164		230 V AC/DC	Varistor	2+E	Red
1834484165		230 V AC/DC	Varistor	2+E	Red

Part No.	Number of wires	Cable-Ø	Cable length	Weight	Fig.	
1834484160	3	5.9 mm	3 m	0.2 kg	Fig. 1	1)
1834484162	3	5.9 mm	3 m	0.2 kg	Fig. 2	-
1834484163	3	5.9 mm	5 m	0.31 kg	Fig. 2	-
1834484164	3	5.9 mm	3 m	0.2 kg	Fig. 2	-
1834484165	3	5.9 mm	5 m	0.31 kg	Fig. 2	-

1) Scope of delivery incl. flat gasket

Technical information

The specified protection class is only valid in assembled and tested state.

Technical information

Material	
Seals	caoutchouc/butadiene caoutchouc
Cable sheath	Polyvinyl chloride

Dimensions

Fig. 1

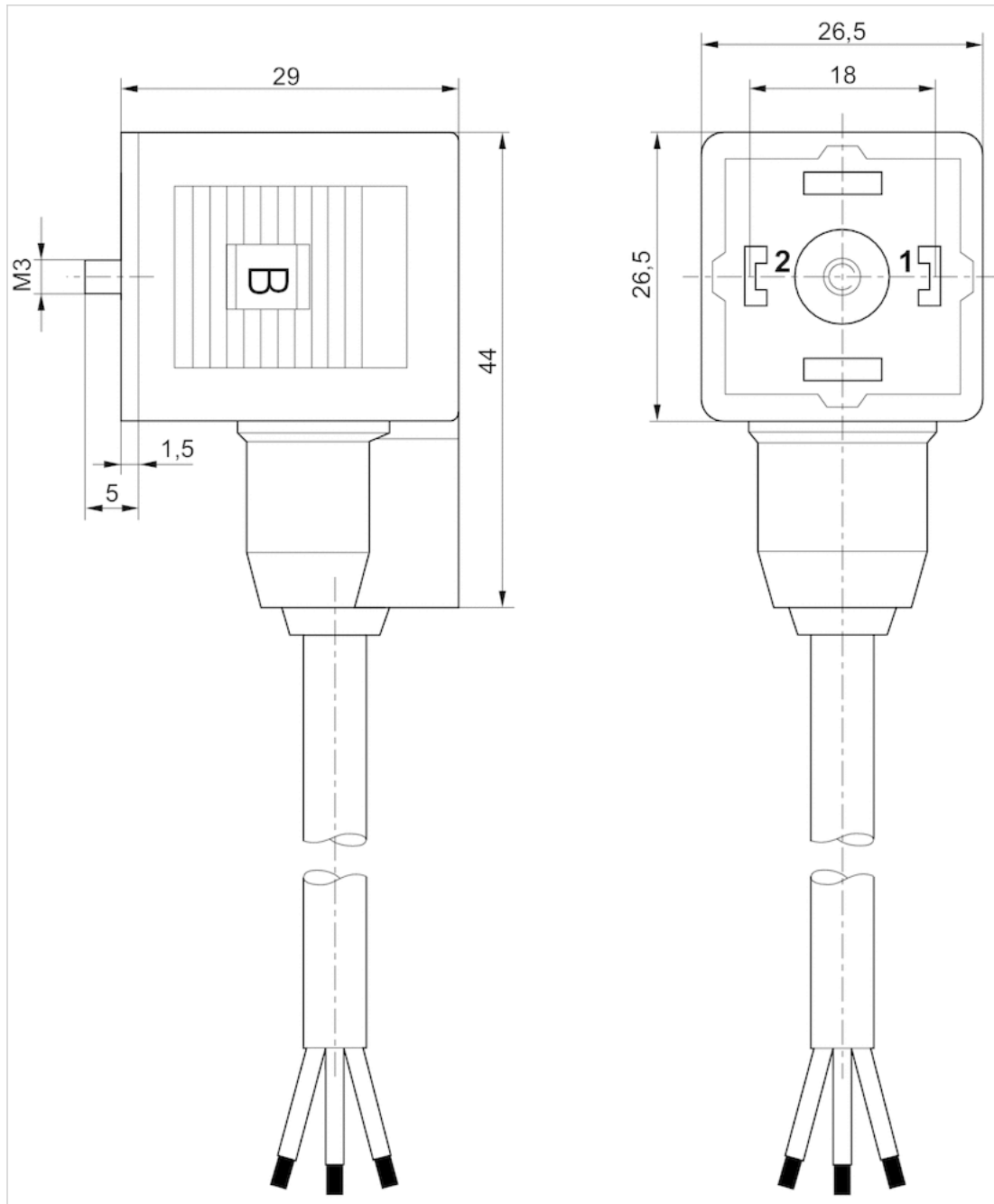
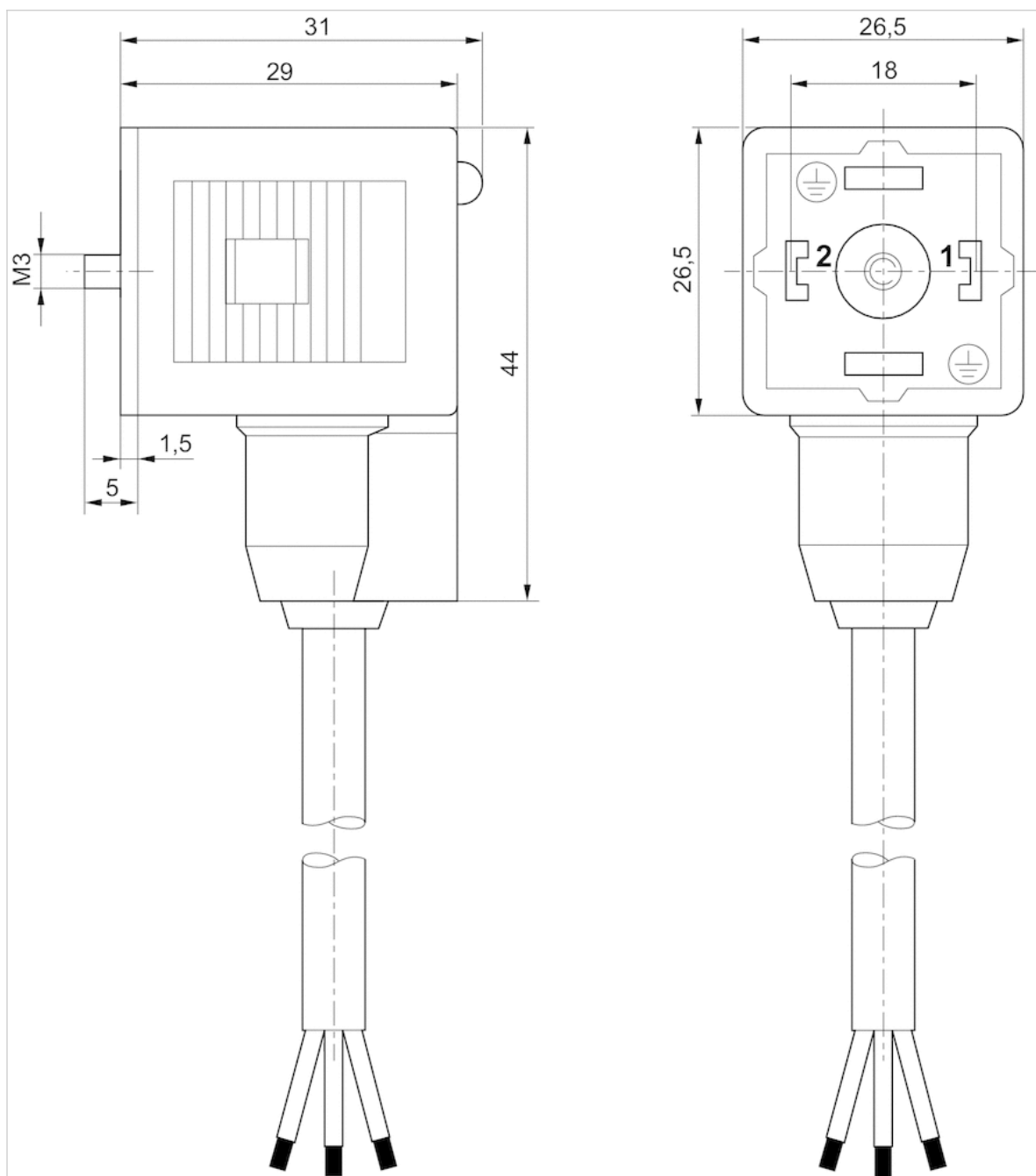


Fig. 2



Valve plug connector, series CON-VP

- Socket, form B, 2+E, angled, 90°
- ISO 6952
- unshielded
- with LED Yellow Red Red



Connection type	Screws
Ambient temperature min./max.	-25 ... 50 °C
Operational voltage	See table below
Protection class	IP65
Mounting screw tightening torque	0.4 Nm
Weight	0.02 kg

Technical data

Part No.		Operational voltage	Max. current	Protective circuit	Contact assignment
1834484096		-	10 A	-	2+E
1834484104		24 V AC/DC	-	Z-diode	2+E
1834484105		110 V AC	-	Varistor	2+E
1834484106		230 V AC	-	Varistor	2+E

Part No.	LED status display	suitable cable-Ø min./max	Seal	Fig.
1834484096	-	5 / 8 mm	caoutchouc/butadiene caoutchouc	Fig. 1
1834484104	Yellow	6 / 8 mm	Silicone caoutchouc	Fig. 2
1834484105	Red Red	6 / 8 mm	Silicone caoutchouc	Fig. 2
1834484106	Red Red	6 / 8 mm	Silicone caoutchouc	Fig. 2

Profile seal, Flat gasket

Technical information

The specified protection class is only valid in assembled and tested state.

Technical information

Material	
Seals	caoutchouc/butadiene caoutchouc Silicone caoutchouc

Dimensions

Fig. 1

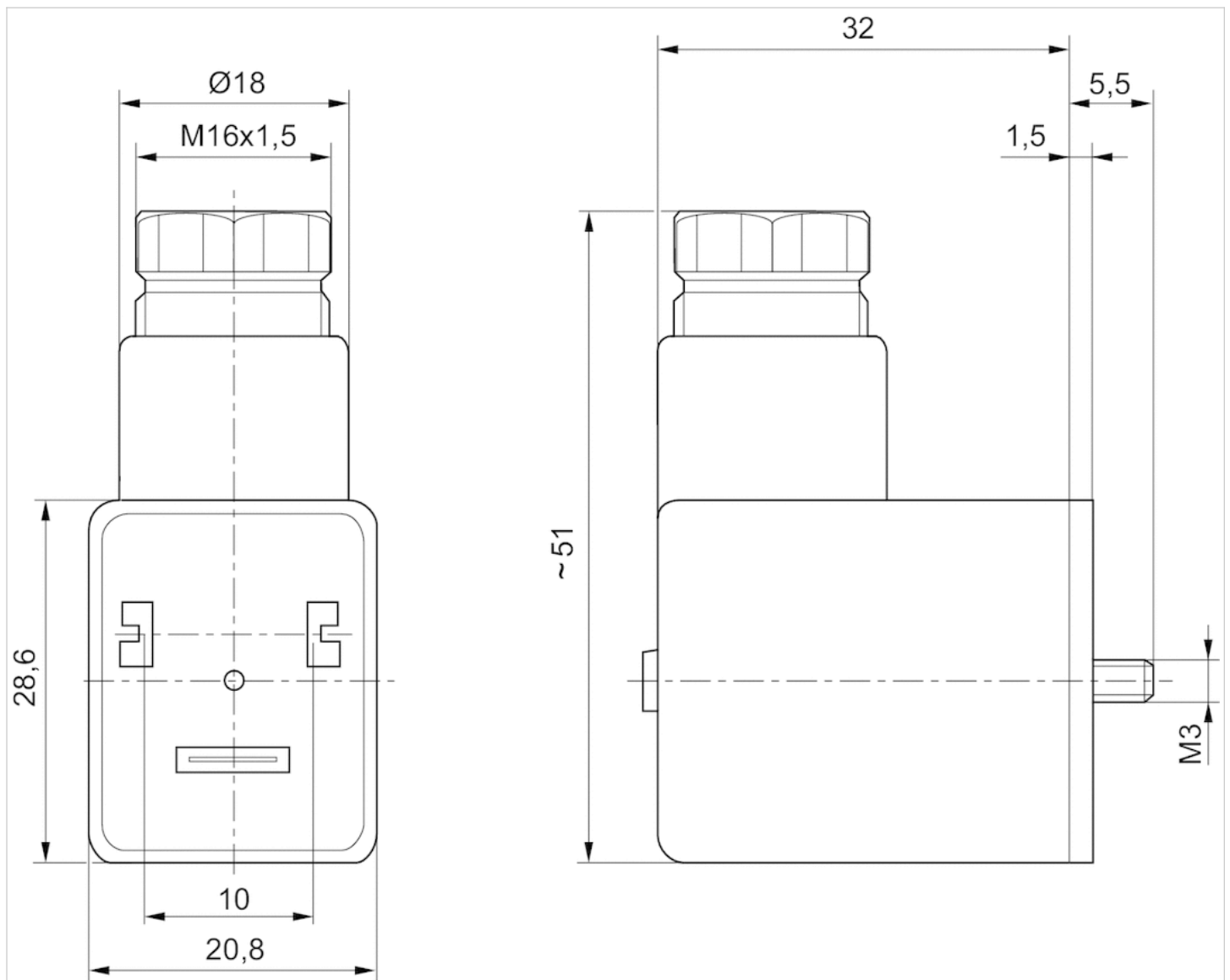
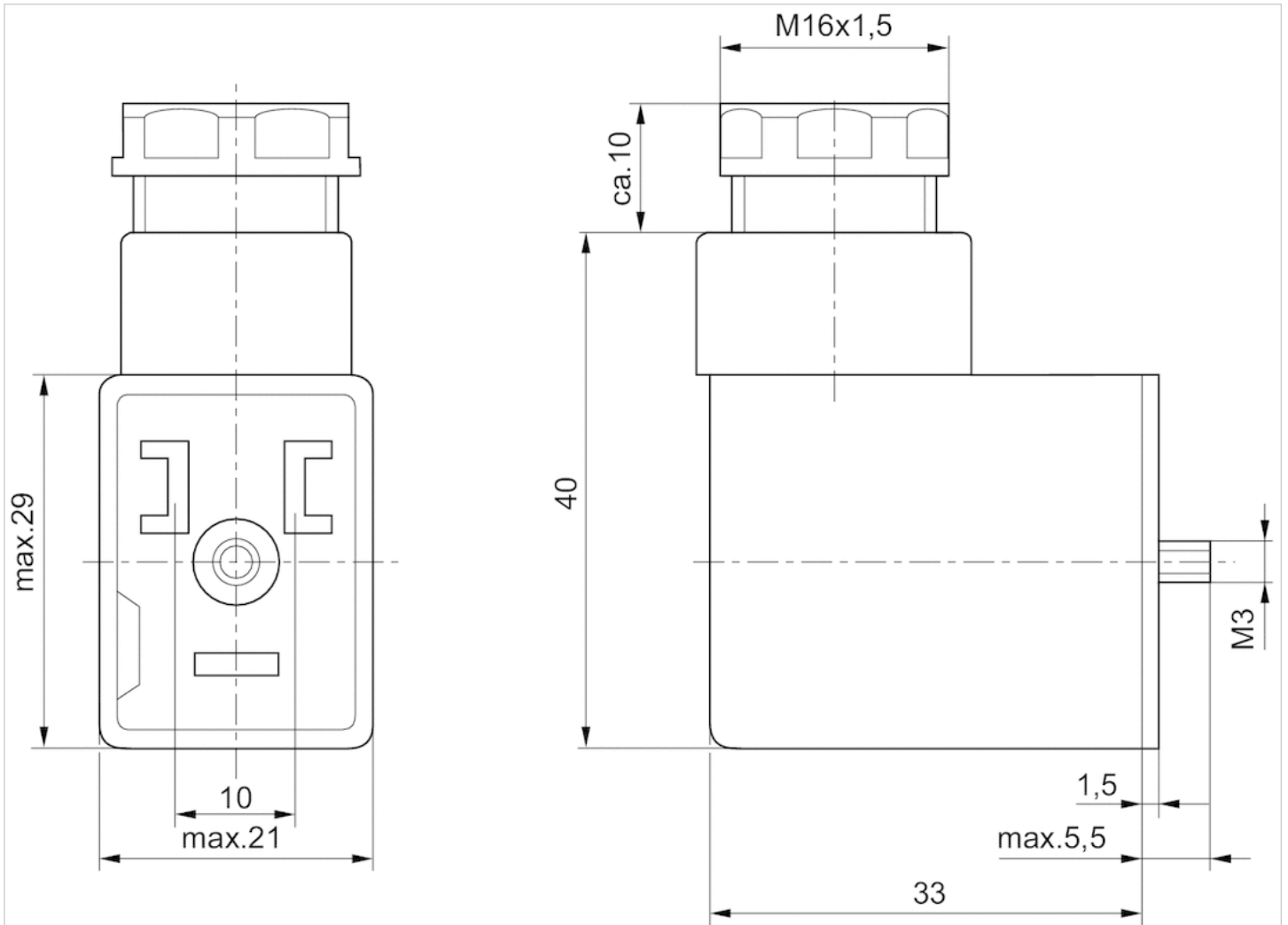


Fig. 2

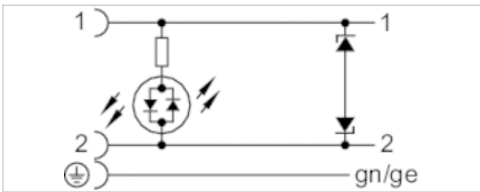


Valve plug connector, series CON-VP

- Socket form B 2+E angled 90°
- open cable ends 3-pin
- with cable
- unshielded



Ambient temperature min./max.	-20 ... 80 °C
Operational voltage	24 V AC/DC
Protection class	IP67
Protective circuit	Z-diode
Wire cross-section	0.75 mm ²
Mounting screw tightening torque	0.4 Nm
Weight	See table below



Technical data

Part No.	Max. current	Contact assignment	LED status display	Number of wires	Cable-Ø	Cable length	Weight	Fig.
1834484152	10 A	2+E	Yellow	3	5.9 mm	3 m	0.2 kg	Fig. 1
1834484153	10 A	2+E	Yellow	3	5.9 mm	3 m	0.2 kg	Fig. 2
1834484154	10 A	2+E	Yellow	3	5.9 mm	5 m	0.31 kg	Fig. 1
1834484155	10 A	2+E	Yellow	3	5.9 mm	5 m	0.31 kg	Fig. 2

Scope of delivery incl. flat gasket

Technical information

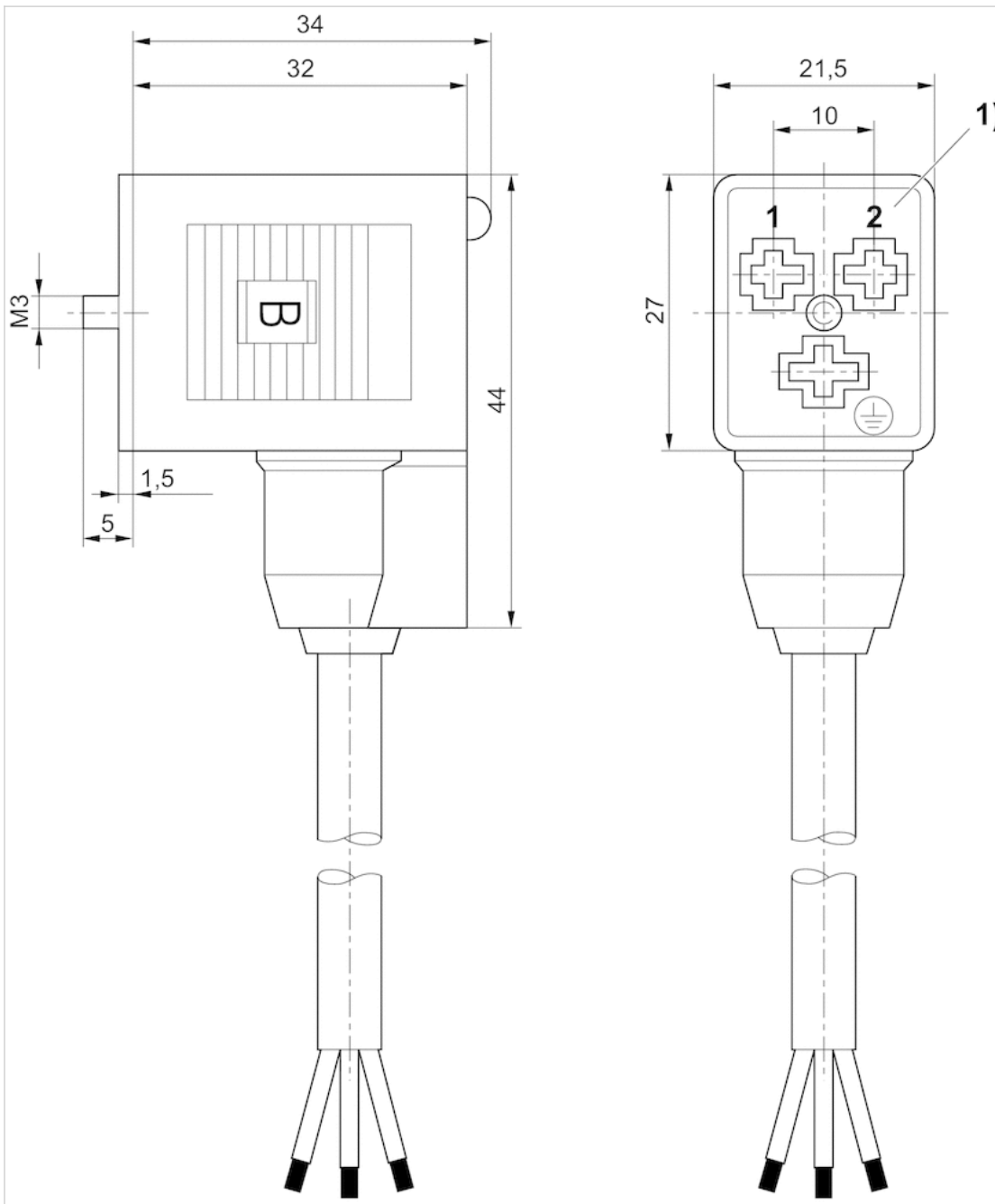
The specified protection class is only valid in assembled and tested state.

Technical information

Material	
Seals	caoutchouc/butadiene caoutchouc
Cable sheath	Polyvinyl chloride

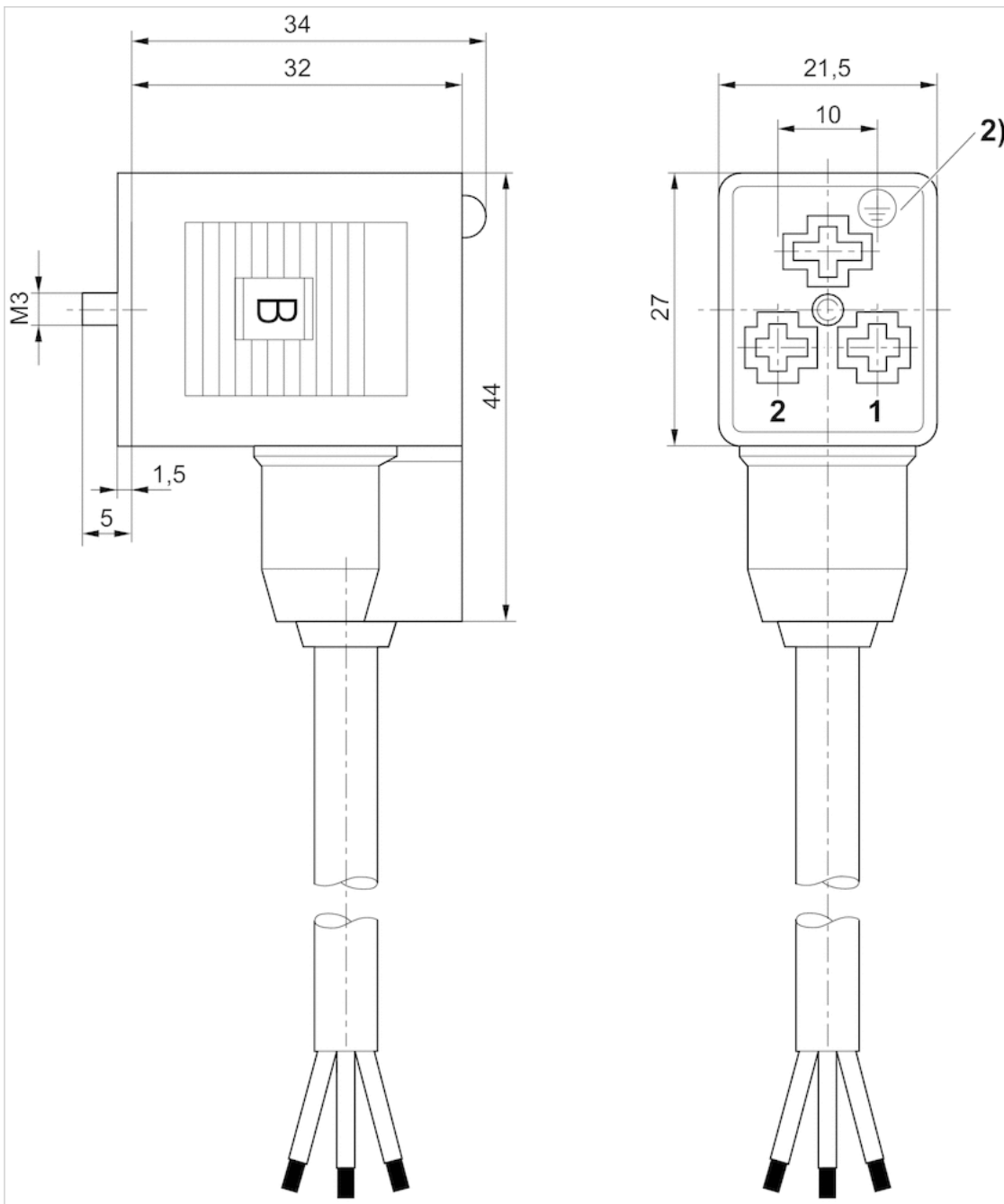
Dimensions

Fig. 1



1) 0° female insert

Fig. 2



2) 180° female insert

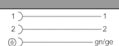

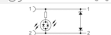
Valve plug connector, series CON-VP

- Socket, form C, 2+E, angled, 90°
- ISO 15217
- unshielded
- with LED Green



Connection type	Screws
Ambient temperature min./max.	-40 ... 90 °C
Operational voltage	See table below
Protection class	IP65
Mounting screw tightening torque	0.4 Nm
Weight	See table below

Technical data

Part No.		Operational voltage	Max. current	Protective circuit	Contact assignment
1834484187		250 / 300 V AC/DC	6 A	-	2+E
8941012202		250 / 300 V AC/DC	6 A	-	2+E
4402050330		24 V AC/DC	-	Z-diode	2+E

Part No.	LED status display	suitable cable-Ø min./max	Seal	Weight
1834484187	-	4 / 8 mm	caoutchouc/butadiene caoutchouc	0.012 kg
8941012202	-	4 / 8 mm	-	0.012 kg
4402050330	Green	-	-	0.014 kg

Part No.	Fig.	
1834484187	Fig. 1	-
8941012202	Fig. 2	-
4402050330	Fig. 3	1)

1)

Technical information

The specified protection class is only valid in assembled and tested state.

Technical information

Material

Seals

caoutchouc/butadiene caoutchouc

Dimensions

Fig. 1

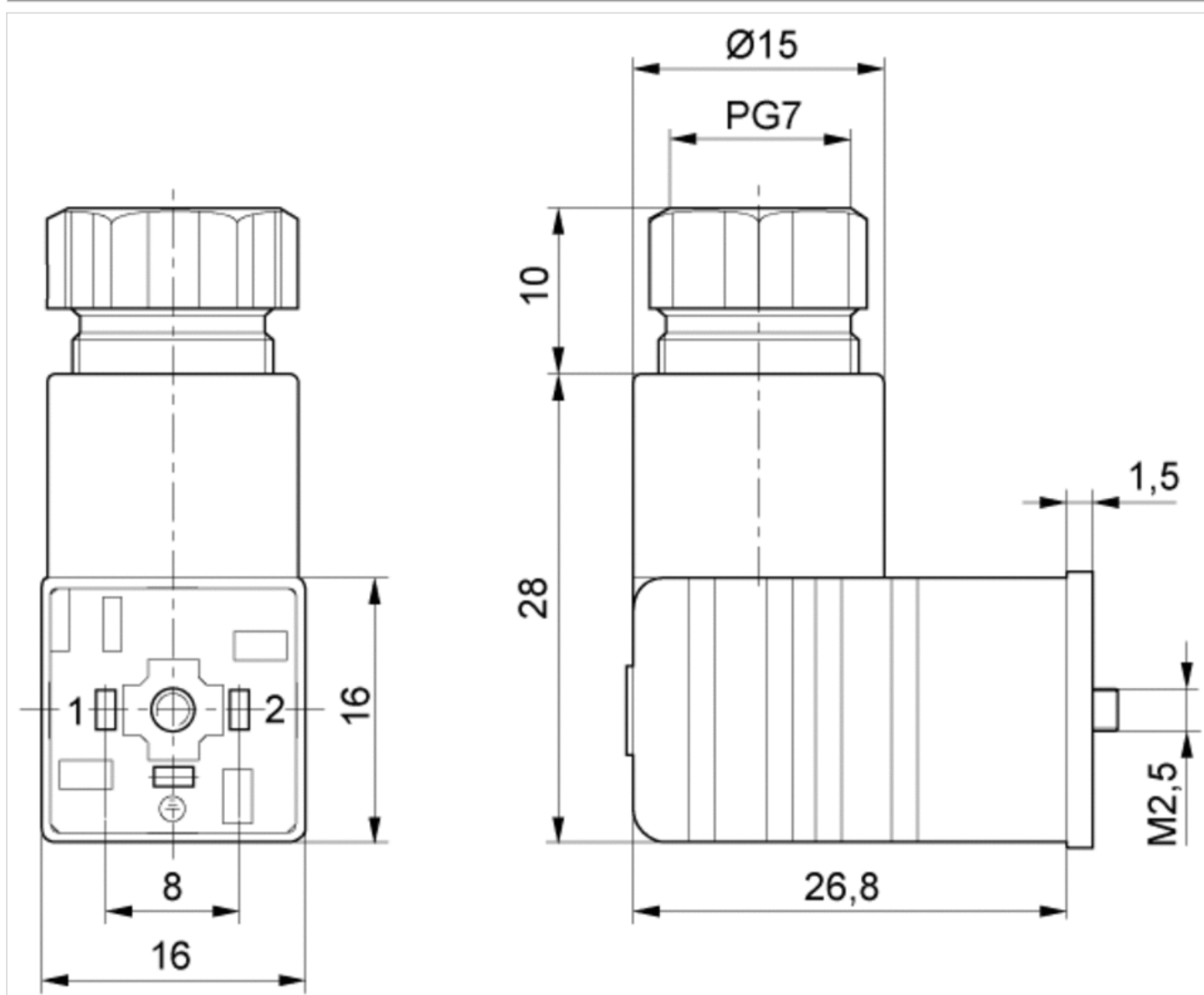


Fig. 2

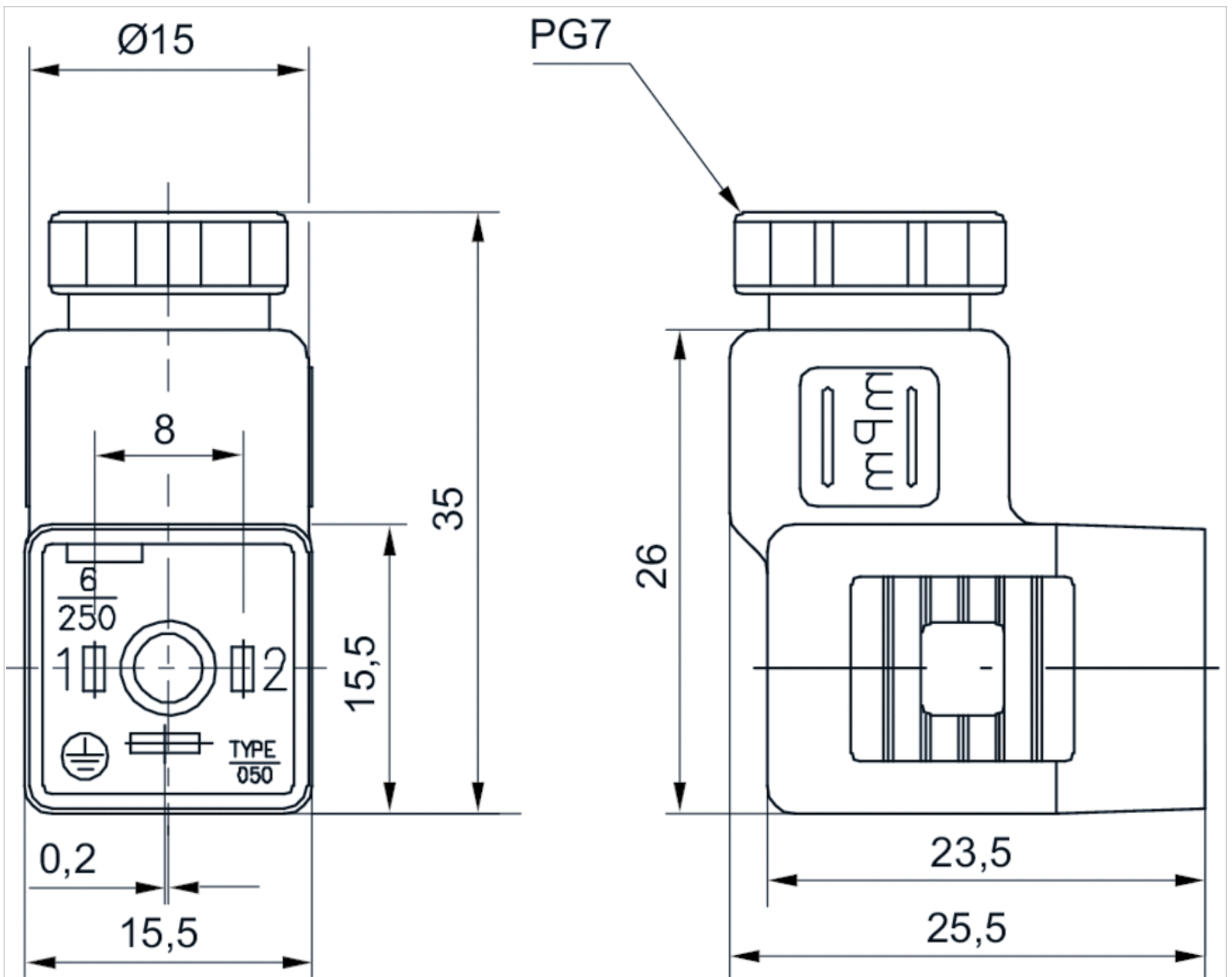
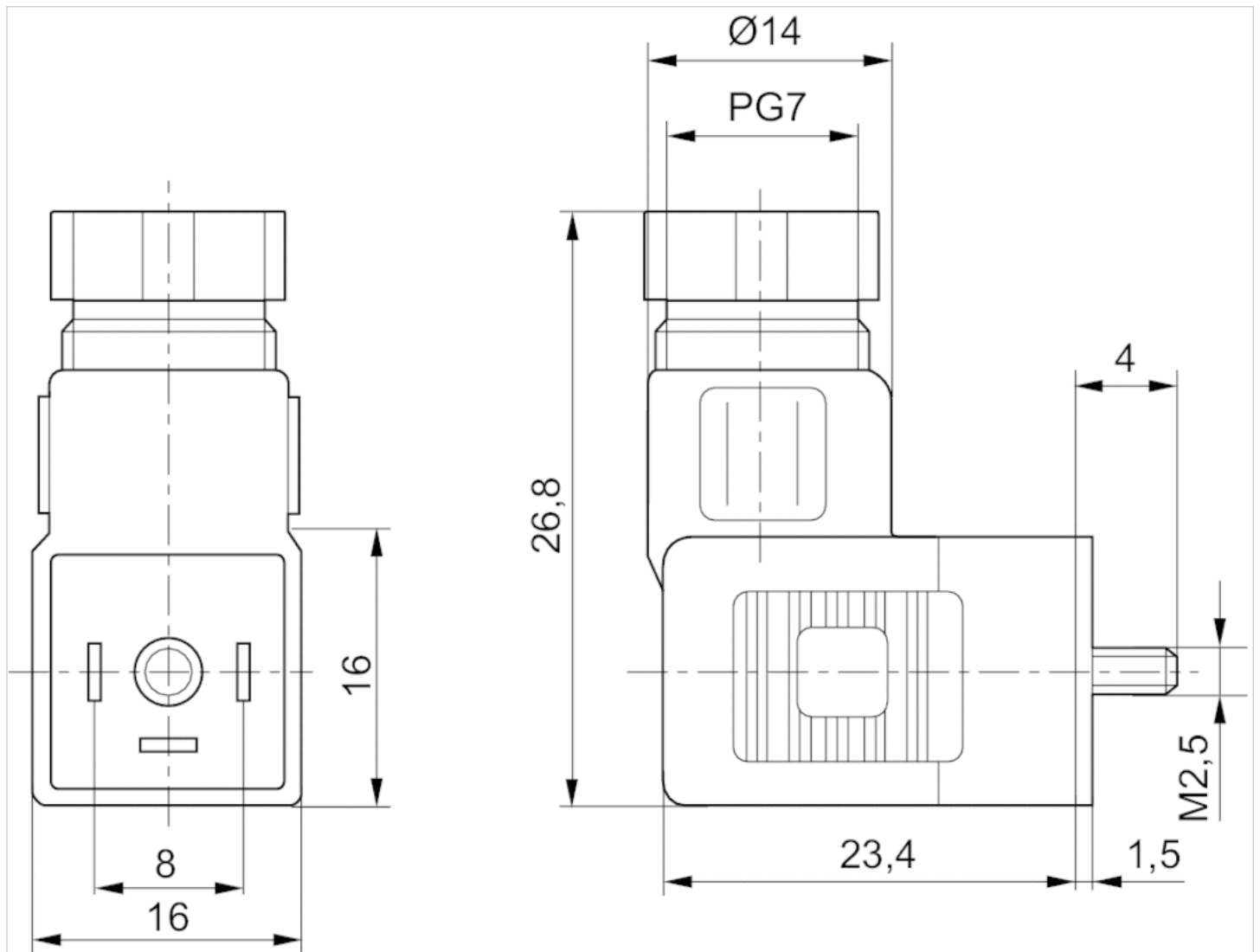
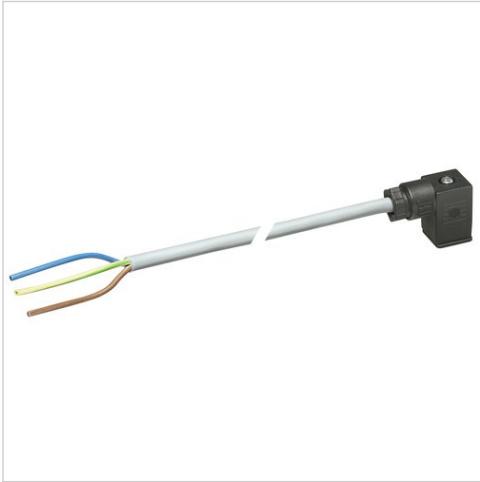


Fig. 3






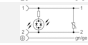






Valve plug connector, series CON-VP

- Socket form C 2+E angled 90°
- open cable ends 3-pin
- with cable
- unshielded



Ambient temperature min./max.	-20 ... 80 °C
Operational voltage	See table below
Protection class	IP67
Wire cross-section	0.75 mm ²
Mounting screw tightening torque	0.4 Nm
Weight	See table below

Technical data

Part No.		Operational voltage	Max. current	Protective circuit	Contact assignment
1834484204		24 V AC/DC	6 A	Z-diode	2+E
1834484205		24 V AC/DC	6 A	Z-diode	2+E
1834484206		24 V AC/DC	6 A	Z-diode	2+E
1834484207		24 V AC/DC	6 A	Z-diode	2+E
1834484236		24 V AC/DC	6 A	Z-diode	2+E
1834484208		230 V AC/DC	6 A	Varistor	2+E
1834484209		230 V AC/DC	6 A	Varistor	2+E
1834484210		230 V AC/DC	6 A	Varistor	2+E
1834484211		230 V AC/DC	6 A	Varistor	2+E
1834484212		230 V AC/DC	6 A	-	2+E
1834484213		230 V AC/DC	6 A	-	2+E
1834484214		230 V AC/DC	6 A	-	2+E
1834484215		230 V AC/DC	6 A	-	2+E

Part No.	LED status display	Number of wires	Cable-Ø	Cable length	Weight	Fig.	
1834484204	Yellow	3	5.9 mm	3 m	0.185 kg	Fig. 1	1)
1834484205	Yellow	3	5.9 mm	3 m	0.185 kg	Fig. 2	1)
1834484206	Yellow	3	5.9 mm	5 m	0.292 kg	Fig. 1	1)
1834484207	Yellow	3	5.9 mm	5 m	0.298 kg	Fig. 2	1)
1834484236	Yellow	3	5.9 mm	10 m	0.571 kg	Fig. 2	1)
1834484208	Yellow	3	5.9 mm	3 m	0.171 kg	Fig. 1	1)
1834484209	Yellow	3	5.9 mm	3 m	0.194 kg	Fig. 2	1)
1834484210	Yellow	3	5.9 mm	5 m	0.297 kg	Fig. 1	1)
1834484211	Yellow	3	5.9 mm	5 m	0.285 kg	Fig. 2	1)
1834484212	-	3	5.9 mm	3 m	0.183 kg	Fig. 1	-
1834484213	-	3	5.9 mm	3 m	0.183 kg	Fig. 2	-

Part No.	LED status display	Number of wires	Cable-Ø	Cable length	Weight	Fig.	
1834484214	-	3	5.9 mm	5 m	0.308 kg	Fig. 1	-
1834484215	-	3	5.9 mm	5 m	0.308 kg	Fig. 2	-

1) Scope of delivery incl. flat gasket

Technical information

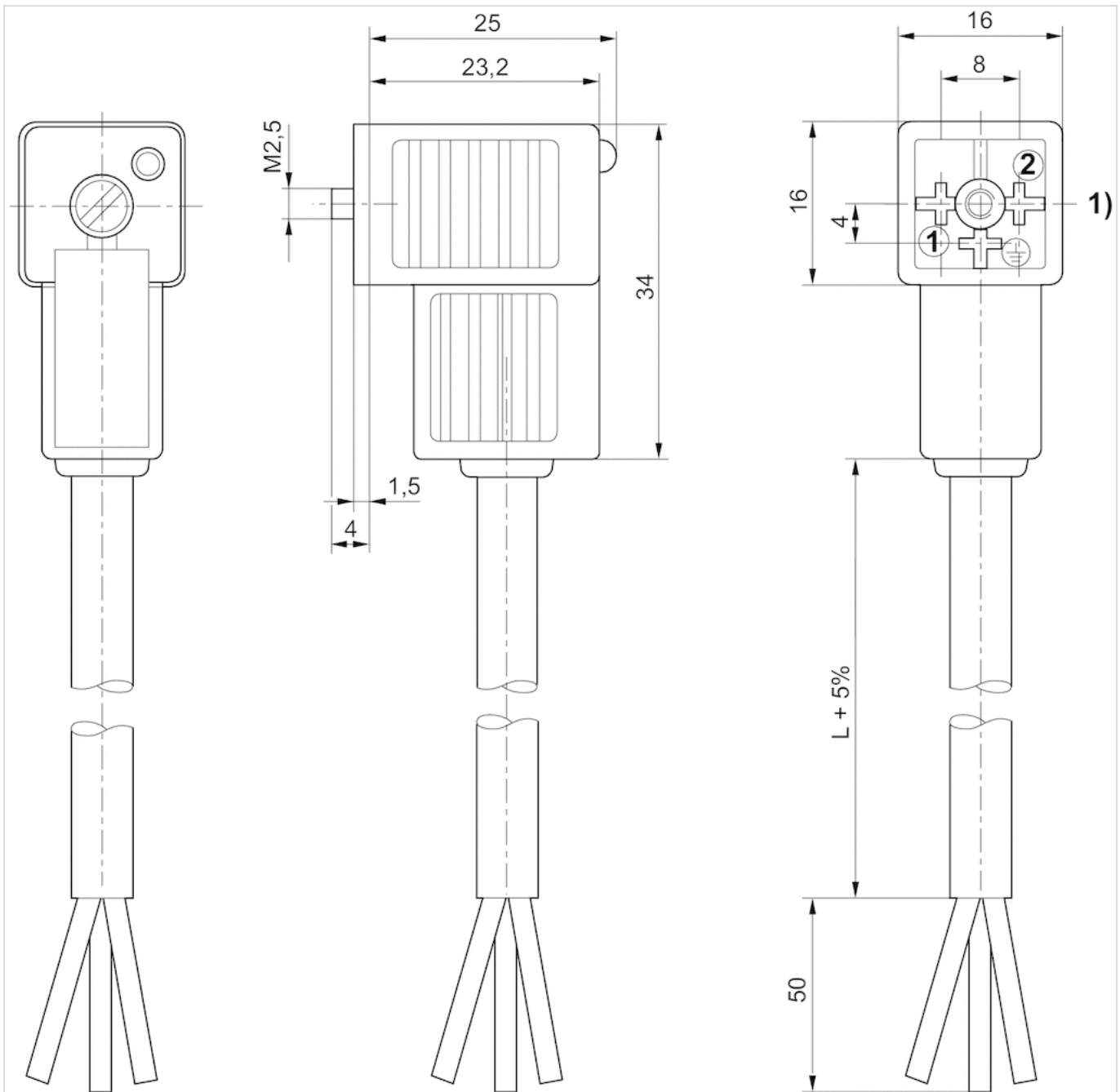
The specified protection class is only valid in assembled and tested state.

Technical information

Material	
Seals	caoutchouc/butadiene caoutchouc
Cable sheath	Polyvinyl chloride

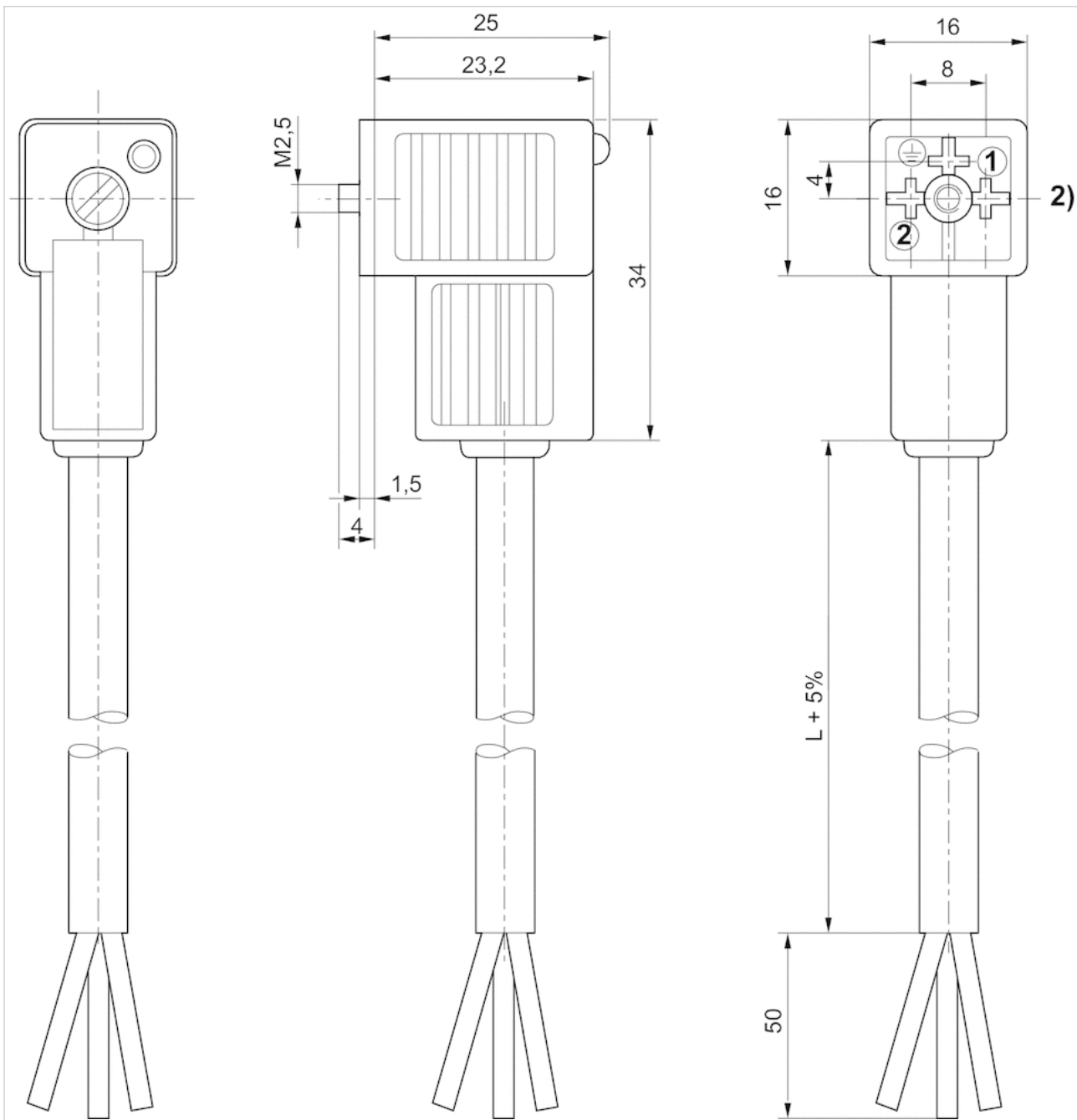
Dimensions

Fig. 1



1) 0° female insert

Fig. 2



2) 180° female insert

Valve plug connector, series CON-VP

- Socket RJ 2-pin straight 180°
- with cable
- unshielded



Ambient temperature min./max.	0 ... 50 °C
Operational voltage	30 / 36 V AC/DC
Protection class	IP40
Weight	See table below

Technical data

Part No.	Electrical connection	Number of wires	Wire cross-section	Cable sheath	Cable-Ø	Cable length
	2					
1834484265	open cable ends	2	0.25 mm ²	Polyvinyl chloride	4 mm	5 m
1834484266	open cable ends	2	0.25 mm ²	Polyvinyl chloride	4 mm	3 m
1834484267	-	-	-	-	-	-

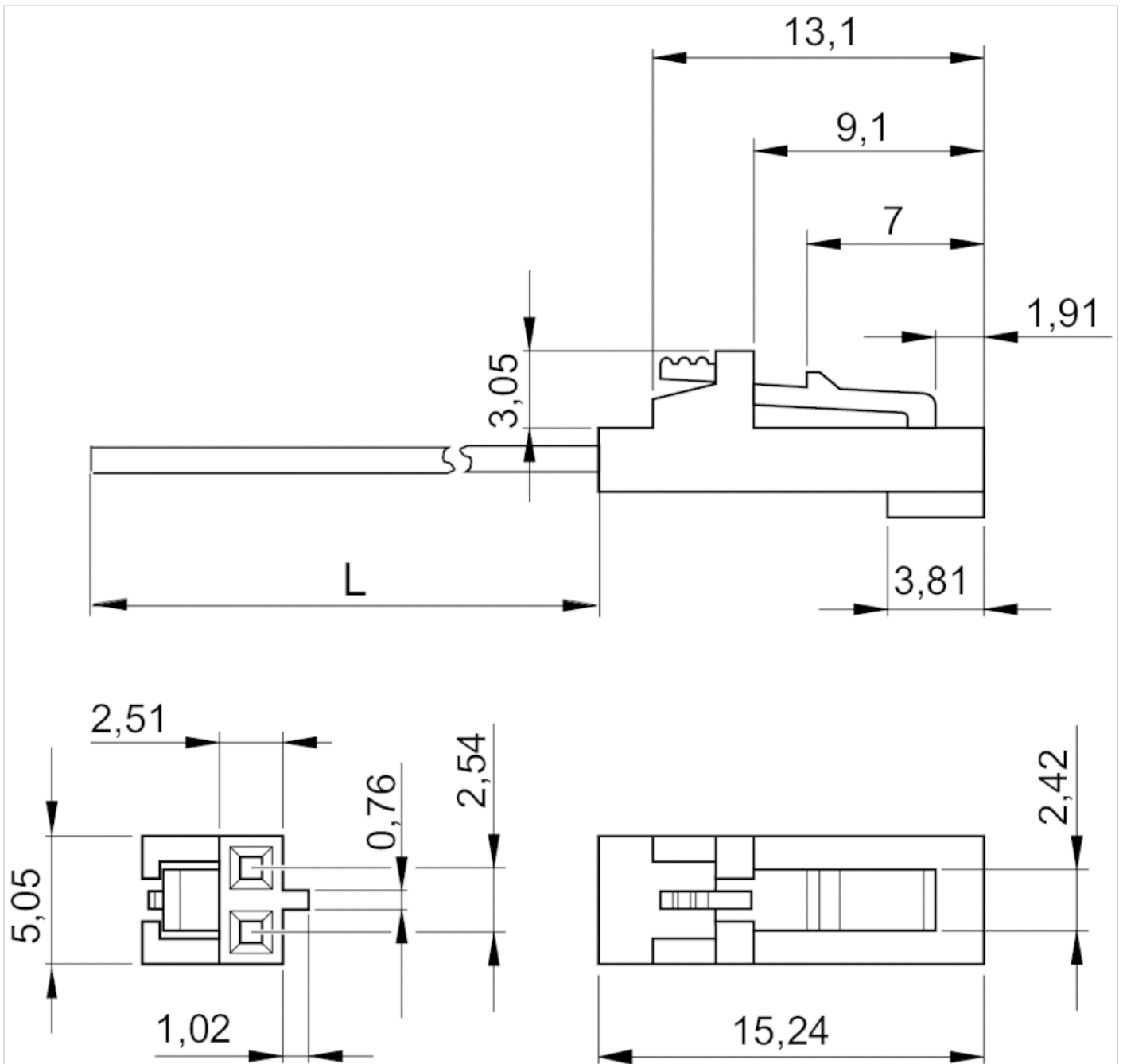
Part No.	Cable	Connection type	Delivery unit	Weight
1834484265	with cable	-	5 piece	0.42 kg
1834484266	with cable	-	1 piece	0.026 kg
1834484267	-	Crimping	10 piece	0.003 kg

Technical information

Material	
Housing	Polyoxymethylene
Cable sheath	Polyvinyl chloride

Dimensions

Dimensions



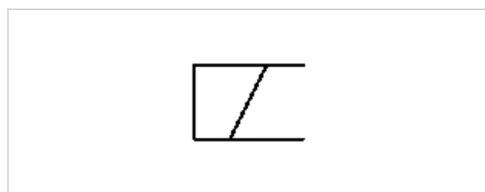
L = length

Coil, Series C01

- form A
- Coil width 30 mm
- Power consumption DC 2.7-6.2 W
- Holding power AC 4.8-8 VA
- Switch-on power AC 11.5 VA



Connector standard	EN 175301-803, form A
electrical connections	Plug, 3-pin
Ambient temperature min./max.	50 °C
Protection class With valve plug connector/plug	IP65
Duty cycle ED	100 %
Weight	See table below



Technical data

Part No.	Operational voltage	Operational voltage	Operational voltage
	DC	AC 50 Hz	AC 60 Hz
5420897022	24 V	-	-
5428117022	-	24 V	24 V
5428117072	-	110 V	110 V
5428117082	-	230 V	230 V
1824210220	110 V	220 V	230 V
1824210221	-	110 V	110 V
1824210222	12 V	24 V	24 V
1824210223	24 V	-	-

Part No.	Voltage tolerance	Voltage tolerance	Voltage tolerance	Power consumption
	DC	AC 50 Hz	AC 60 Hz	DC
5420897022	-10% / +10%	-	-	2.7 W
5428117022	-	-20% / +10%	-10% / +20%	-
5428117072	-	-20% / +10%	-10% / +20%	-
5428117082	-	-20% / +10%	-10% / +20%	-
1824210220	-10% / +10%	-10% / +10%	-10% / +10%	6 W
1824210221	-	-10% / +10%	-10% / +10%	-
1824210222	-10% / +10%	-10% / +10%	-10% / +10%	6.2 W
1824210223	-10% / +10%	-10% / +10%	-10% / +10%	4.4 W

Part No.	Holding power	Holding power	Switch-on power	Switch-on power
	AC 50 Hz	AC 60 Hz	AC 50 Hz	AC 60 Hz
5420897022	-	-	-	-
5428117022	5.2 VA	3.9 VA	-	-
5428117072	4.8 VA	3.6 VA	-	-
5428117082	5.6 VA	4.2 VA	-	-
1824210220	8 VA	9.1 VA	11.5 VA	12.6 VA
1824210221	8 VA	6.4 VA	11.5 VA	10.8 VA
1824210222	7.4 VA	5.2 VA	11.5 VA	9.5 VA
1824210223	-	-	-	-

Part No.	Compatibility index	Weight
5420897022	14	0.096 kg
5428117022	14	0.096 kg
5428117072	14	0.096 kg
5428117082	14	0.096 kg
1824210220	15	0.11 kg
1824210221	15	0.11 kg
1824210222	15	0.11 kg
1824210223	15	0.11 kg

Technical information

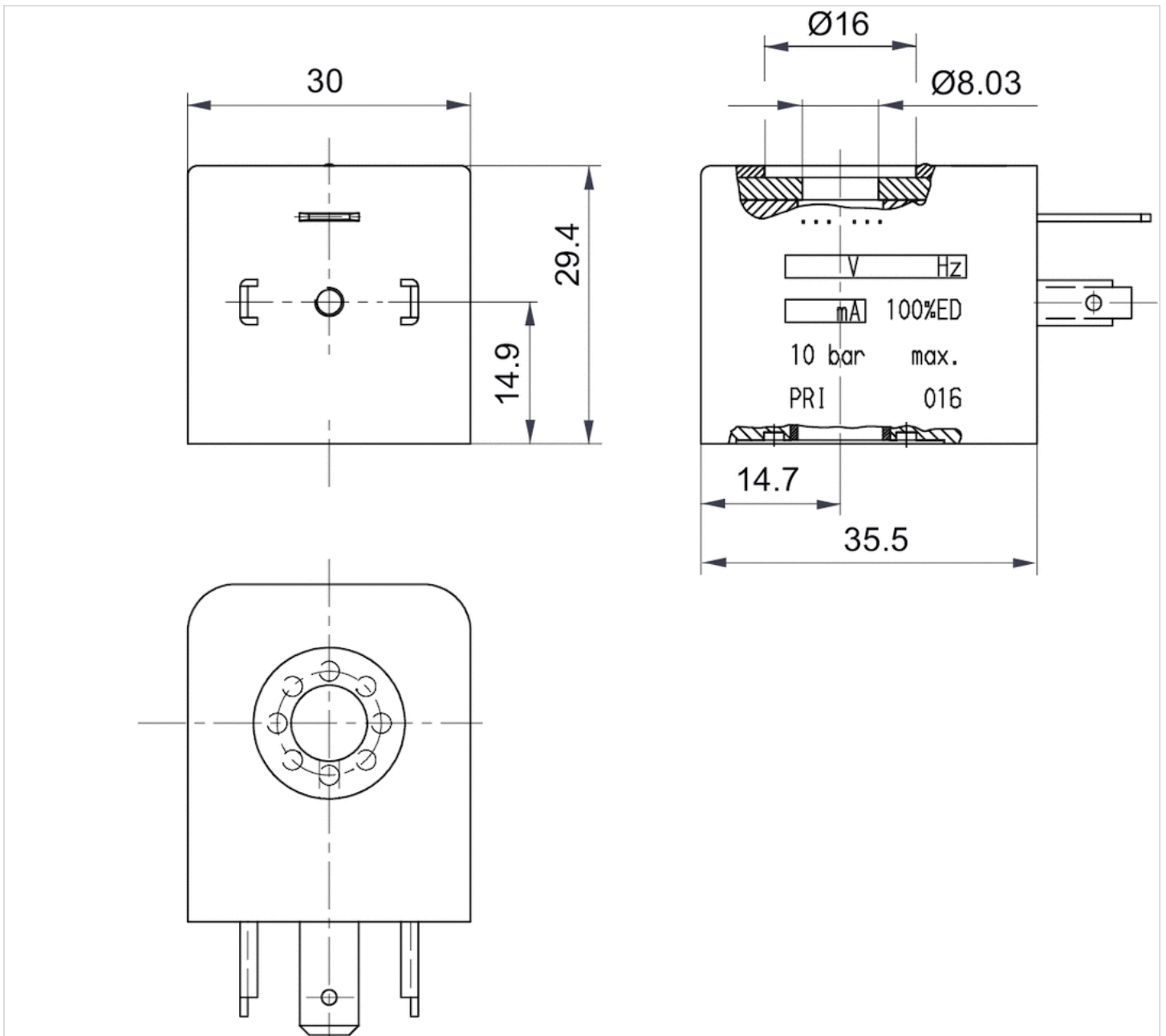
Material

Housing

Thermoplastic elastomer

Dimensions

Dimensions

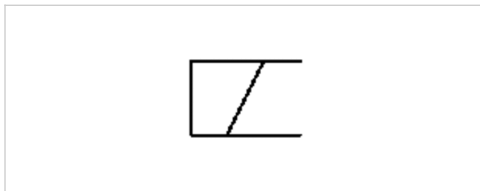


Coil, Series C01

- form B
- Coil width 22 mm
- Power consumption DC 2.6-5.9 W
- Holding power AC 7.7-9.7 VA
- Switch-on power AC 10.5-12.6 VA



Connector standard	EN 175301-803, form B
electrical connections	Plug, 3-pin
Ambient temperature min./max.	50 °C
Protection class With valve plug connector/plug	IP65
Duty cycle ED	100 %
Weight	0.07 kg



Technical data

Part No.	Operational voltage	Operational voltage	Operational voltage
	DC	AC 50 Hz	AC 60 Hz
1824210245	24 V	-	-
1824210235	110 V	220 V	230 V
1824210237	60 V	110 V	110 V
1824210239	12 V	24 V	24 V
1824210241	48 V	-	-
1824210243	24 V	48 V	48 V

Part No.	Voltage tolerance	Voltage tolerance	Voltage tolerance	Power consumption
	DC	AC 50 Hz	AC 60 Hz	DC
1824210245	-10% / +10%	-10% / +10%	-10% / +10%	2.6 W
1824210235	-10% / +10%	-10% / +10%	-10% / +10%	4.9 W
1824210237	-10% / +10%	-10% / +10%	-10% / +10%	5.9 W
1824210239	-10% / +10%	-10% / +10%	-10% / +10%	5.5 W
1824210241	-10% / +10%	-10% / +10%	-10% / +10%	5 W
1824210243	-10% / +10%	-10% / +10%	-10% / +10%	4.8 W

Part No.	Holding power	Holding power	Switch-on power	Switch-on power
	AC 50 Hz	AC 60 Hz	AC 50 Hz	AC 60 Hz
1824210245	-	-	-	-
1824210235	9.7 VA	7.9 VA	12.6 VA	10.2 VA

Part No.	Holding power	Holding power	Switch-on power	Switch-on power
	AC 50 Hz	AC 60 Hz	AC 50 Hz	AC 60 Hz
1824210237	8.4 VA	6.8 VA	11 VA	9.4 VA
1824210239	8.9 VA	7.3 VA	12 VA	9.9 VA
1824210241	-	-	-	-
1824210243	7.7 VA	6.2 VA	10.5 VA	9.4 VA

Part No.	Compatibility index
1824210245	13
1824210235	14
1824210237	14
1824210239	14
1824210241	14
1824210243	14

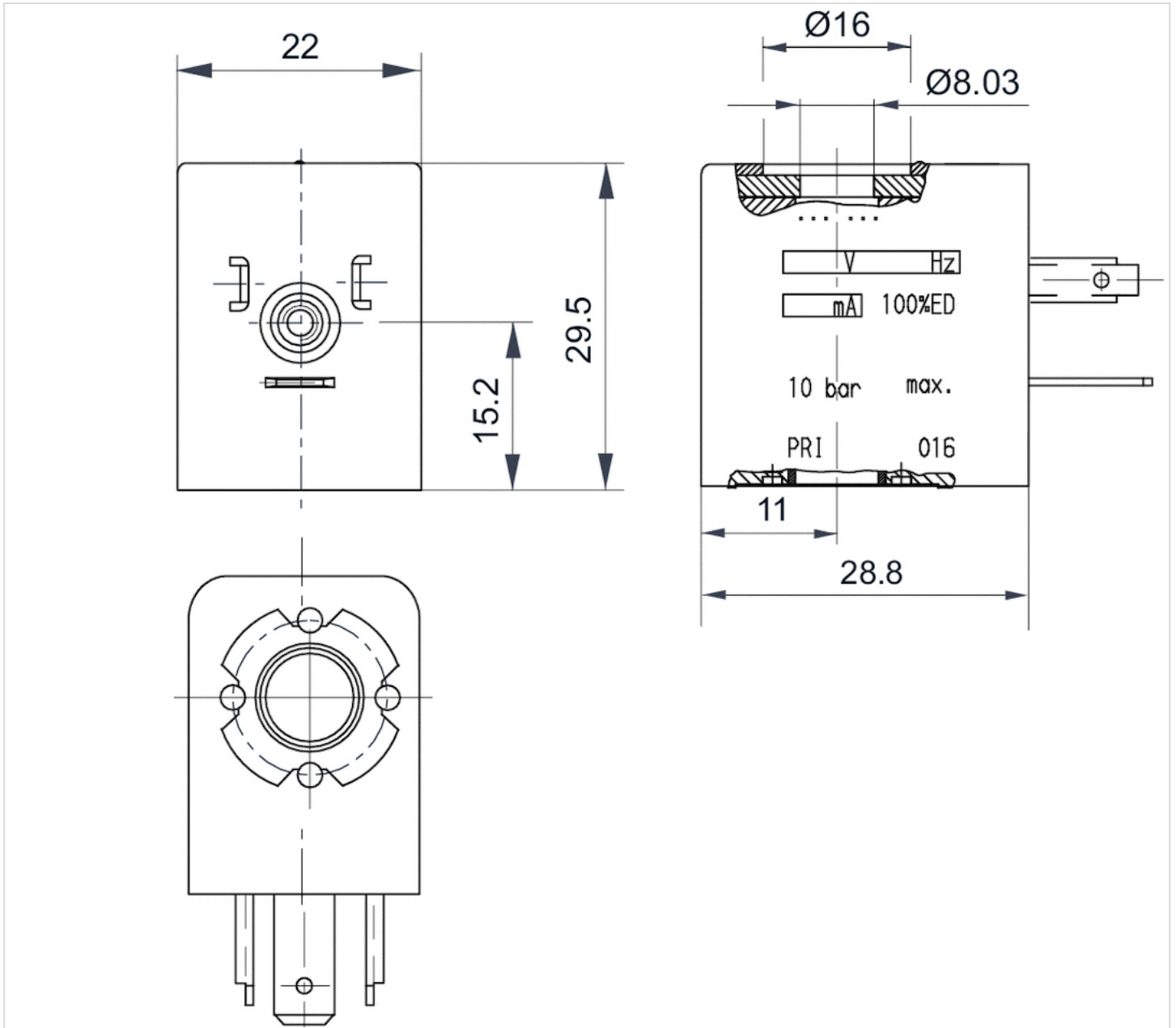
Technical information

Material

Housing	Thermoplastic elastomer
---------	-------------------------

Dimensions

Dimensions



Coil, Series C01

- Form B, industry
- Coil width 22 mm
- Power consumption DC 2-5 W
- Holding power AC 8 VA
- Switch-on power AC 10 VA



Connector standard
electrical connections
Ambient temperature min./max.
Protection class With valve plug
connector/plug
Duty cycle ED
Weight

ISO 6952
Plug, Form B, industry
50 °C
IP65

100 %
See table below

An example configuration is illustrated.
The delivered product may thus deviate
from the illustration.

Technical data

Part No.	Operational voltage	Operational voltage	Voltage tolerance
	DC	AC 50 Hz	DC
0498317405	12 V	-	-
0498317502	24 V	-	-10% / +10%
0498318800	24 V	-	-10% / +10%
0498317618	48 V	-	-
0498317707	110 V	-	-10% / +10%
0498317804	220 V	-	-10% / +10%
0498316905	-	24 V	-
0498317006	-	48 V	-
0498317103	-	110 V	-
0498322506	-	230 V	-

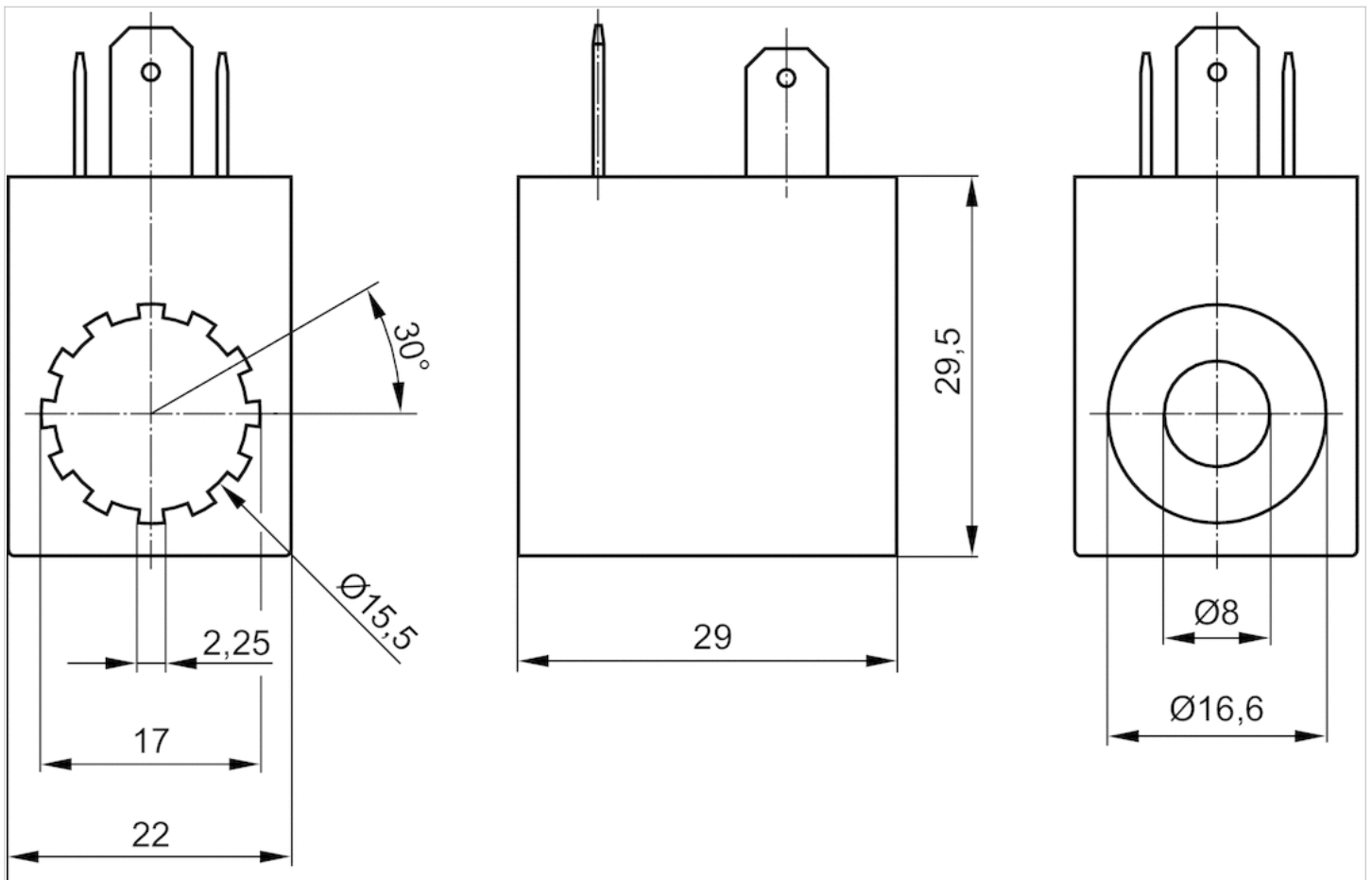
Part No.	Voltage tolerance	Power consumption	Holding power	Switch-on power
	AC 50 Hz	DC	AC 50 Hz	AC 50 Hz
0498317405	-	5 W	-	-
0498317502	-	5 W	-	-
0498318800	-	2 W	-	-
0498317618	-	5 W	-	-
0498317707	-	5 W	-	-
0498317804	-	5 W	-	-
0498316905	-10% / +10%	-	8 VA	10 VA
0498317006	-10% / +10%	-	8 VA	10 VA
0498317103	-10% / +10%	-	8 VA	10 VA
0498322506	-10% / +10%	-	8 VA	10 VA

Part No.	Weight	
0498317405	0.054 kg	-
0498317502	0.051 kg	-
0498318800	0.051 kg	1)
0498317618	0.054 kg	-
0498317707	0.054 kg	-
0498317804	0.054 kg	-
0498316905	0.054 kg	-
0498317006	0.054 kg	-
0498317103	0.051 kg	-
0498322506	0.054 kg	-

1) Low power consumption

Dimensions

Dimensions











Pilot valve, Series DO35

- NC NO
- Pipe connection
- Electrical connection : Plug, EN 175301-803, form A
- Manual override : with detent
- With spring return



Version	Poppet valve
Activation	Electrically
Sealing principle	Soft sealing
Working pressure min./max.	0 ... 10 bar
Ambient temperature min./max.	-10 ... 50 °C
Medium temperature min./max.	-10 ... 50 °C
Medium	Compressed air
Nominal flow 1 ▶ 2	See table below
Nominal flow 2 ▶ 3	130 l/min
Duty cycle	100 %
mounting screws	M4
Tightening torque tolerance	+0,3

Technical data

Part No.			Compressed air connection		Operational voltage
				Exhaust	DC
1827414004		NC		G 1/8	24 V
1827414006		NO		G 1/8	24 V
1827414011		NC		G 1/8	-
1827414015		NC		G 1/8	-
1827414016		NC		G 1/8	-
1827414020		NO		G 1/8	-
1827414024		NO		G 1/8	-
1827414025		NO		G 1/8	-

Part No.	Operational voltage		Power consumption
	AC 50 Hz	AC 60 Hz	DC
1827414004	-	-	8 W
1827414006	-	-	8 W
1827414011	24 V	-	-
1827414015	110 V	110 V	-
1827414016	230 V	-	-
1827414020	24 V	-	-
1827414024	110 V	110 V	-
1827414025	230 V	-	-

Part No.	Holding power	Holding power	Switch-on power	Switch-on power	Nominal flow 1 ▶ 2
	AC 50 Hz	AC 60 Hz	AC 50 Hz	AC 60 Hz	
1827414004	-	-	-	-	140 l/min
1827414006	-	-	-	-	110 l/min

Part No.	Holding power	Holding power	Switch-on power	Switch-on power	Nominal flow 1 ▶ 2
	AC 50 Hz	AC 60 Hz	AC 50 Hz	AC 60 Hz	
1827414011	14 VA	14 VA	21 VA	21 VA	140 l/min
1827414015	14 VA	14 VA	21 VA	21 VA	140 l/min
1827414016	14 VA	14 VA	21 VA	21 VA	140 l/min
1827414020	14 VA	14 VA	21 VA	21 VA	110 l/min
1827414024	14 VA	14 VA	21 VA	21 VA	110 l/min
1827414025	14 VA	14 VA	21 VA	21 VA	110 l/min

Part No.	Fig.
1827414004	Fig. 1
1827414006	Fig. 2
1827414011	Fig. 1
1827414015	Fig. 1
1827414016	Fig. 1
1827414020	Fig. 2
1827414024	Fig. 2
1827414025	Fig. 2

Technical information

The min. control pressure must be adhered to, since otherwise faulty switching and valve failure may result!

The pressure dew point must be at least 15 °C under ambient and medium temperature and may not exceed 3 °C .

The oil content of compressed air must remain constant during the life cycle.

Use only the approved oils from AVENTICS. Further information can be found in the "Technical information" document (available in the MediaCentre).

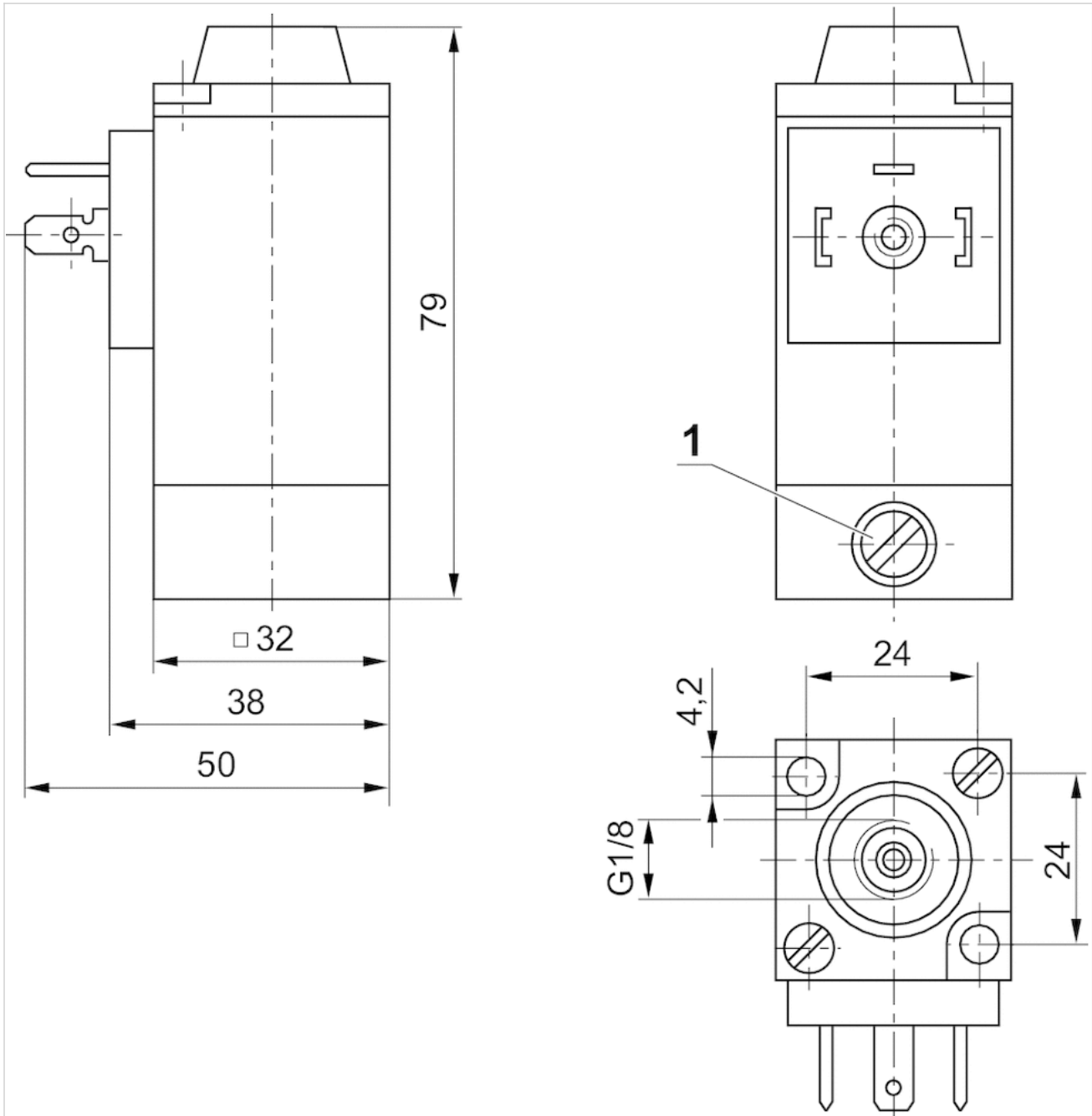
Technical information

Material

Seals	Fluorocaoutchouc
-------	------------------

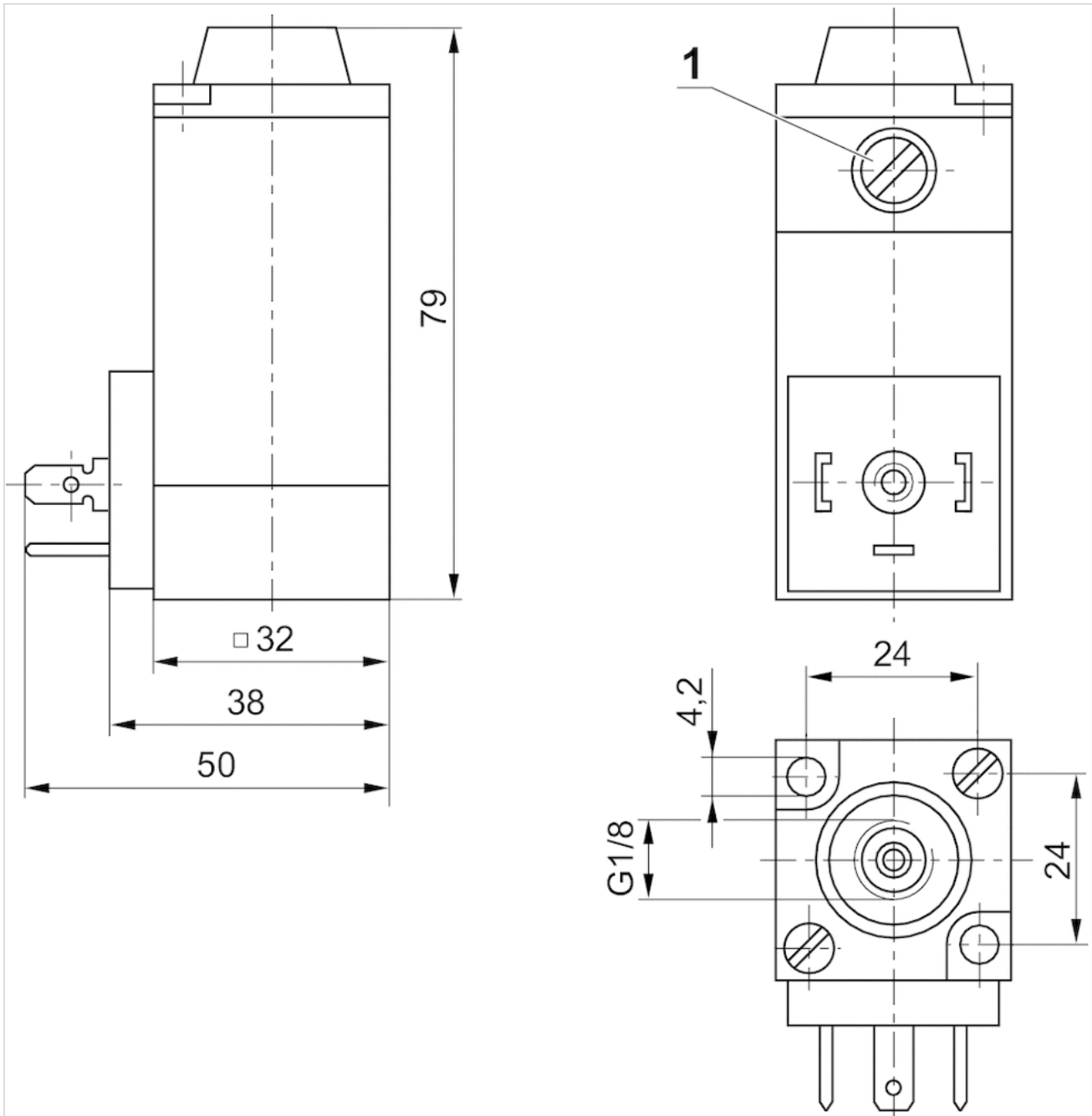
Dimensions

Fig. 1



1) Manual override

Fig. 2



1) Manual override

Manifold block, Series D010

- Compressed air connection output M3



Version	Single plug-in wiring
Working pressure min./max.	0 ... 8 bar
Ambient temperature min./max.	-10 ... 50 °C
Medium temperature min./max.	-10 ... 50 °C
Medium	Compressed air
Grid dimension	11 mm
Direction of pneumatic port (2,4)	On the side
Exhaust (3,5)	With directional exhaust (3/5)
Mounting screw	M1.6
Weight	See table below

Technical data

Part No.	Compressed air connection Input [1]	Compressed air connection Output [2 / 4]
1825503495	M5	M3
1825503496	M5	M3
1825503497	M5	M3
1825503498	M5	M3
1825503499	M5	M3
1825503500	M5	M3
1825503501	M5	M3
1825503502	M5	M3
1825503503	M5	M3

Part No.	Compressed air connection Exhaust [3 / 5]	Number of valve positions	Weight
1825503495	M5	2	0.022 kg
1825503496	M5	3	0.03 kg
1825503497	M5	4	0.037 kg
1825503498	M5	5	0.044 kg
1825503499	M5	6	0.51 kg
1825503500	M5	7	0.058 kg
1825503501	M5	8	0.065 kg
1825503502	M5	9	0.071 kg
1825503503	M5	10	0.077 kg

Scope of delivery incl. seal and mounting screws

Technical information

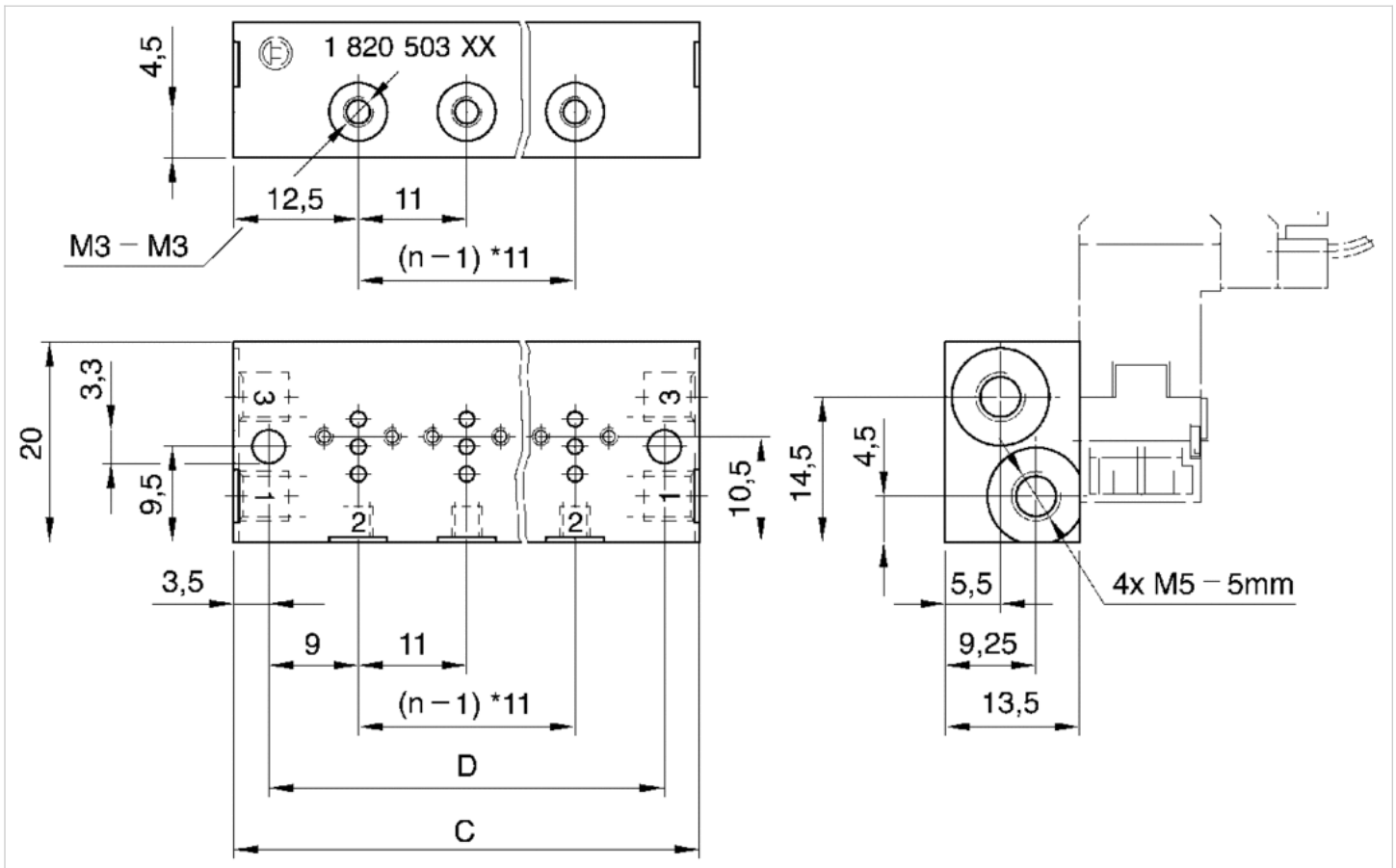
The min. control pressure must be adhered to, since otherwise faulty switching and valve failure may result!
 The pressure dew point must be at least 15 °C under ambient and medium temperature and may not exceed 3 °C .
 The oil content of compressed air must remain constant during the life cycle.
 Use only the approved oils from AVENTICS. Further information can be found in the “Technical information” document (available in the MediaCentre).

Technical information

Material	
Base plate	Aluminum

Dimensions

Dimensions



Dimensions

Part No.	C	D
1825503495	36	29
1825503496	47	40
1825503497	58	51
1825503498	69	62
1825503499	80	73
1825503500	91	84
1825503501	102	95

Part No.	C	D
1825503502	113	106
1825503503	124	117

Blanking plate, Series DO10



Working pressure min./max.	0 ... 8 bar
Ambient temperature min./max.	-10 ... 50 °C
Medium temperature min./max.	-10 ... 50 °C
Medium	Compressed air
Number of valve positions max.	1
Grid dimension	11 mm
Mounting screw	M1.6
Weight	0.101 kg

Technical data

Part No.
1825503504

Scope of delivery incl. seal and mounting screws

Technical information

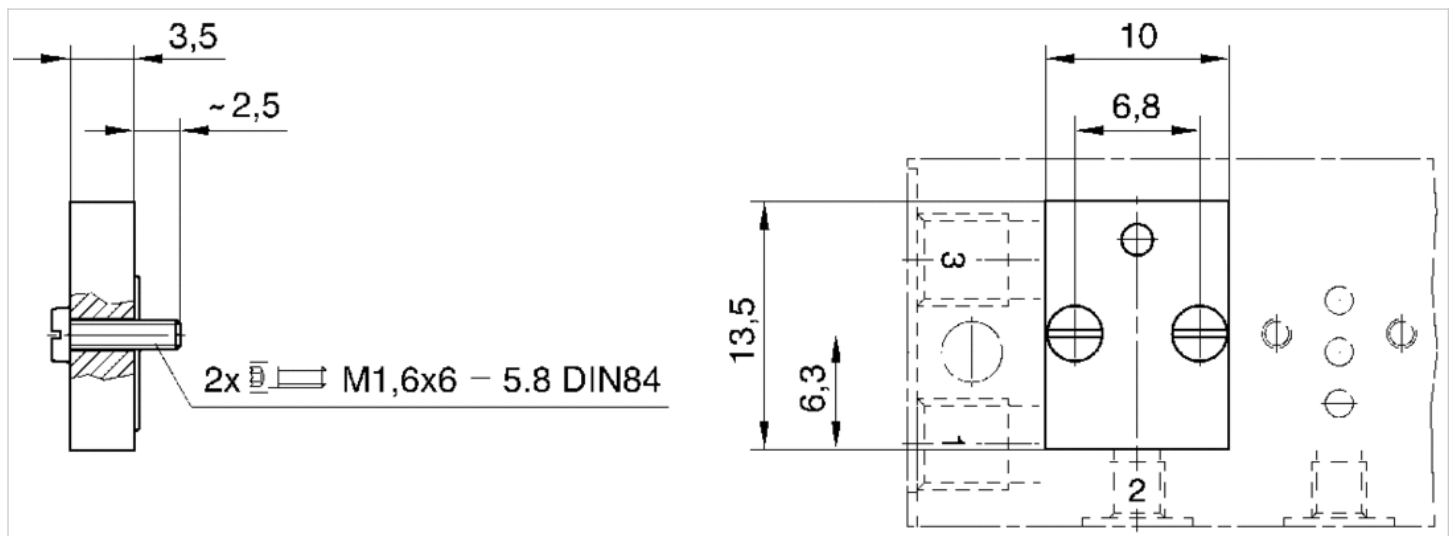
The min. control pressure must be adhered to, since otherwise faulty switching and valve failure may result!
 The pressure dew point must be at least 15 °C under ambient and medium temperature and may not exceed 3 °C .
 The oil content of compressed air must remain constant during the life cycle.
 Use only the approved oils from AVENTICS. Further information can be found in the "Technical information" document (available in the MediaCentre).

Technical information

Material	
Housing	Aluminum
Seal	Acrylonitrile butadiene rubber
Screws	Steel, galvanized

Dimensions

Dimensions



Manifold block, Series D016

- Compressed air connection output M5



Version	Single plug-in wiring
Working pressure min./max.	0 ... 10 bar
Ambient temperature min./max.	-15 ... 50 °C
Medium temperature min./max.	-15 ... 50 °C
Medium	Compressed air
Grid dimension	18 mm
Direction of pneumatic port (2,4)	On the side
Exhaust (3,5)	With directional exhaust (3/5)
Mounting screw	M3
Weight	See table below

Technical data

Part No.	Compressed air connection Input [1]	Compressed air connection Output [2 / 4]
1825503853	M5	M5
1825503854	M5	M5
1825503855	M5	M5
1825503856	M5	M5
1825503857	M5	M5
1825503858	M5	M5
1825503859	M5	M5

Part No.	Compressed air connection Exhaust [3 / 5]	Number of valve positions	Weight
1825503853	M5	1	0.039 kg
1825503854	M5	2	0.061 kg
1825503855	M5	3	0.076 kg
1825503856	M5	4	0.098 kg
1825503857	M5	5	0.11 kg
1825503858	M5	6	0.135 kg
1825503859	M5	8	0.17 kg

Technical information

The min. control pressure must be adhered to, since otherwise faulty switching and valve failure may result!

The pressure dew point must be at least 15 °C under ambient and medium temperature and may not exceed 3 °C .

The oil content of compressed air must remain constant during the life cycle.

Use only the approved oils from AVENTICS. Further information can be found in the "Technical information" document (available in the MediaCentre).

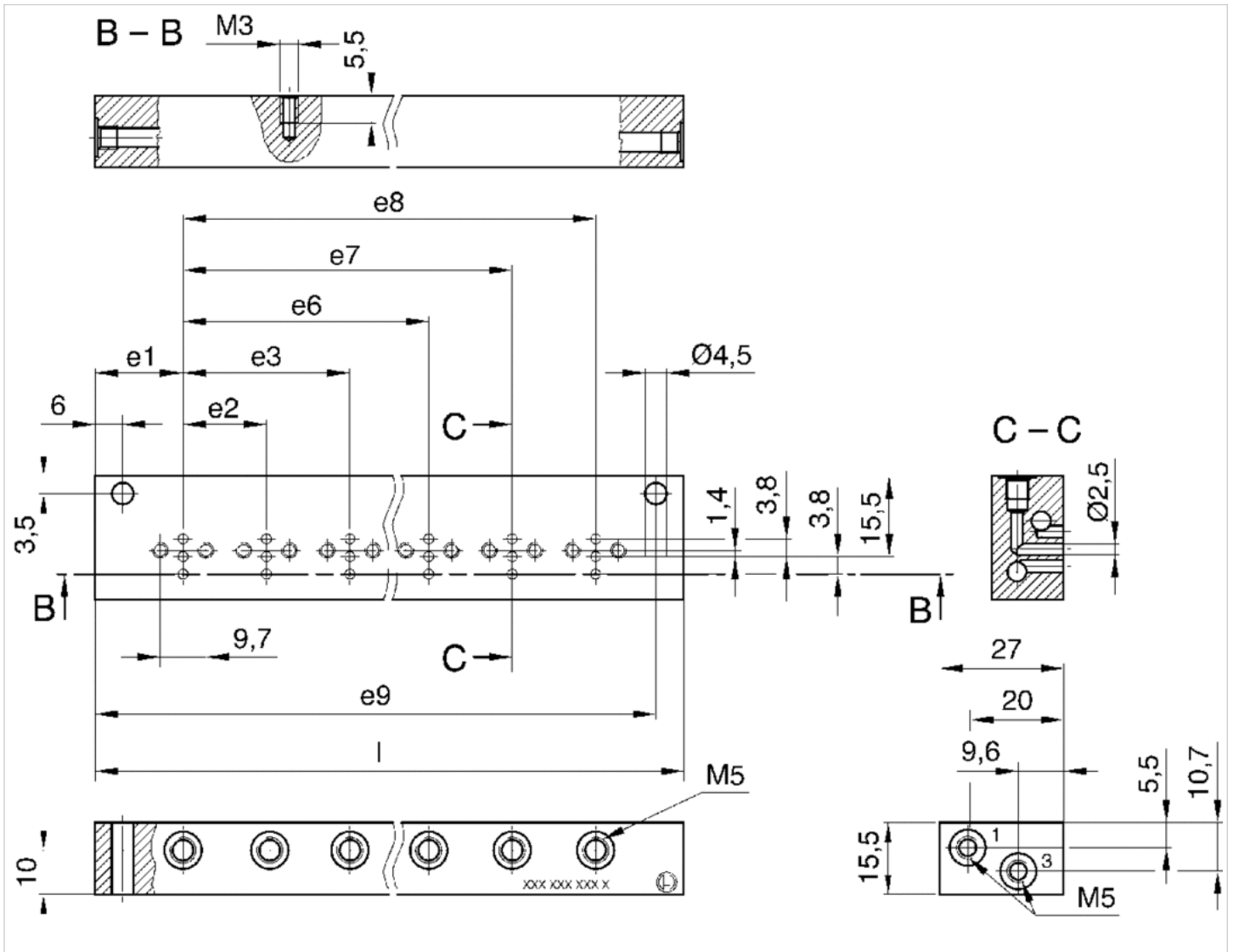
Technical information

Material

Surface	anodized
Base plate	Aluminum

Dimensions

Dimensions



Dimensions

Part No.	l	e1	e2	e3	e4	e5	e6	e7	e8	e9	Weight
1825503853	38	19	-	-	-	-	-	-	-	32	0.039 kg
1825503854	56	19	18	-	-	-	-	-	-	50	0.061 kg
1825503855	74	19	18	36	-	-	-	-	-	68	0.076 kg
1825503856	92	19	18	36	54	-	-	-	-	86	0.098 kg
1825503857	110	19	18	36	54	72	-	-	-	104	0.11 kg

Part No.	l	e1	e2	e3	e4	e5	e6	e7	e8	e9	Weight
1825503858	128	19	18	36	54	72	90	–	–	122	0.135 kg
1825503859	164	19	18	36	54	72	90	108	126	158	0.17 kg

Manifold block, Series D016

- Compressed air connection output Ø 4x1



Version	Single plug-in wiring
Working pressure min./max.	0 ... 10 bar
Ambient temperature min./max.	-15 ... 50 °C
Medium temperature min./max.	-15 ... 50 °C
Medium	Compressed air
Grid dimension	18 mm
Direction of pneumatic port (2,4)	On the side
Exhaust (3,5)	With directional exhaust (3/5)
Mounting screw	M3
Weight	See table below

Technical data

Part No.	Compressed air connection Input [1]	Compressed air connection Output [2 / 4]
1825503860	M5	Ø 4x1
1825503861	M5	Ø 4x1
1825503862	M5	Ø 4x1
1825503863	M5	Ø 4x1
1825503864	M5	Ø 4x1
1825503865	M5	Ø 4x1
1825503866	M5	Ø 4x1

Part No.	Compressed air connection Exhaust [3 / 5]	Number of valve positions	Weight
1825503860	M5	1	0.052 kg
1825503861	M5	2	0.075 kg
1825503862	M5	3	0.103 kg
1825503863	M5	4	0.13 kg
1825503864	M5	5	0.155 kg
1825503865	M5	6	0.173 kg
1825503866	M5	8	0.239 kg

Technical information

The min. control pressure must be adhered to, since otherwise faulty switching and valve failure may result!

The pressure dew point must be at least 15 °C under ambient and medium temperature and may not exceed 3 °C .

The oil content of compressed air must remain constant during the life cycle.

Use only the approved oils from AVENTICS. Further information can be found in the "Technical information" document (available in the MediaCentre).

Part No.	l	e1	e2	e3	e4	e5	e6	e7	e8	e9	Weight
1825503863	92	19	18	36	54	–	–	–	–	86	0.13 kg
1825503864	110	19	18	36	54	72	–	–	–	104	0.155 kg
1825503865	128	19	18	36	54	72	90	–	–	122	0.173 kg
1825503866	164	19	18	36	54	72	90	108	126	158	0.239 kg

Blanking plate, Series D016



Working pressure min./max.	0 ... 10 bar
Ambient temperature min./max.	-15 ... 50 °C
Medium temperature min./max.	-15 ... 50 °C
Medium	Compressed air
Number of valve positions max.	1
Grid dimension	18 mm
Mounting screw	M3
Weight	0.004 kg

Technical data

Part No.

1825503390

Scope of delivery incl. seal and mounting screws

Technical information

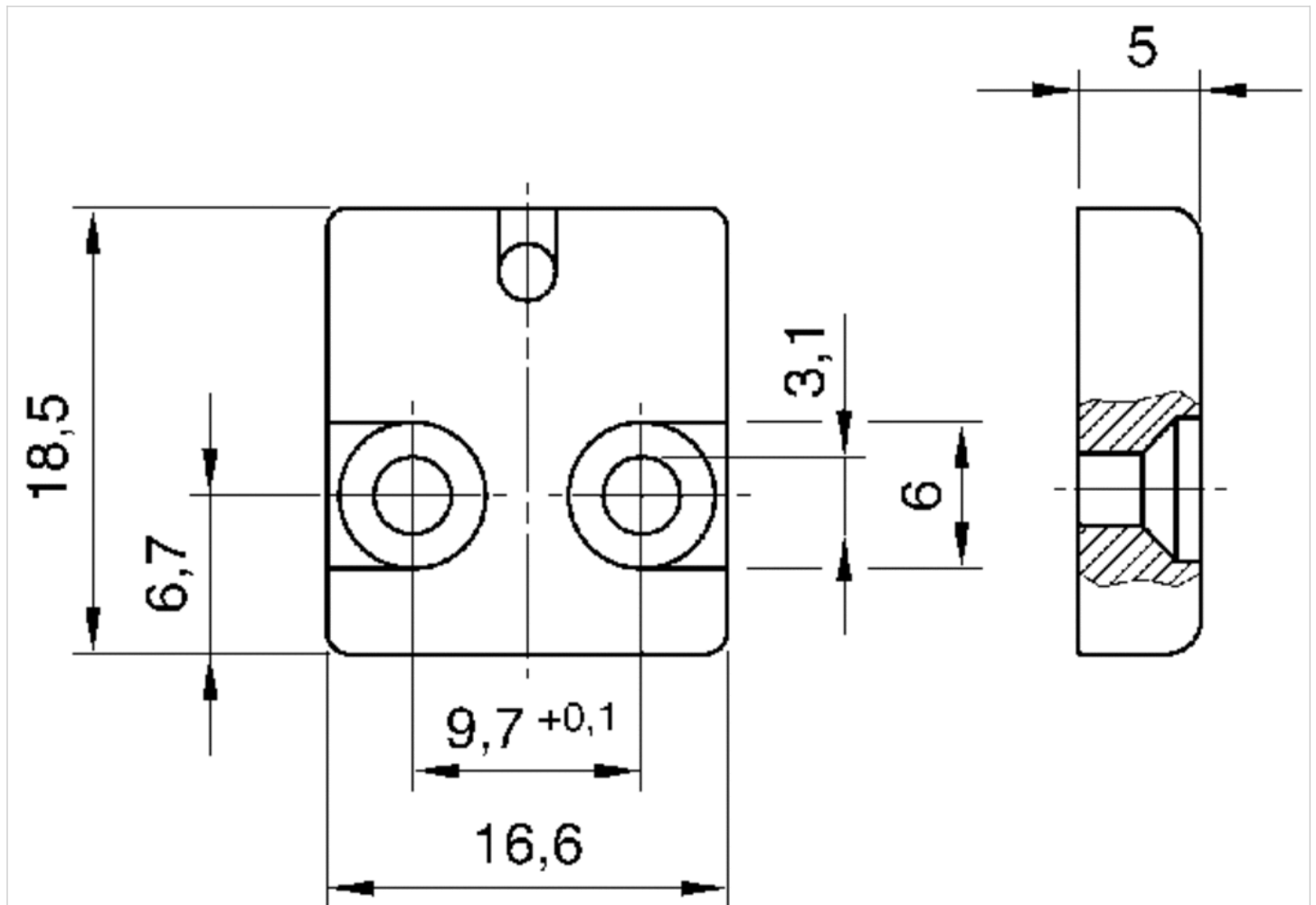
The min. control pressure must be adhered to, since otherwise faulty switching and valve failure may result!
 The pressure dew point must be at least 15 °C under ambient and medium temperature and may not exceed 3 °C .
 The oil content of compressed air must remain constant during the life cycle.
 Use only the approved oils from AVENTICS. Further information can be found in the "Technical information" document (available in the MediaCentre).

Technical information

Material	
Housing	Polyamide
Screws	Steel, galvanized

Dimensions

Dimensions



Manifold block, Series D022

- Compressed air connection output M5



Version	Single plug-in wiring
Working pressure min./max.	0 ... 10 bar
Medium	Compressed air
Grid dimension	23 mm
Direction of pneumatic port (2,4)	On the side
Exhaust (3,5)	With directional exhaust (3/5)
Mounting screw	M3
Weight	See table below

Technical data

Part No.	Compressed air connection Input [1]	Compressed air connection Output [2 / 4]
1825503592	G 1/8	M5
1825503593	G 1/8	M5
1825503594	G 1/8	M5
1825503595	G 1/8	M5
1825503596	G 1/8	M5
1825503597	G 1/8	M5
1825503598	G 1/8	M5
1825503599	G 1/8	M5
1825503600	G 1/8	M5

Part No.	Compressed air connection Exhaust [3 / 5]	Number of valve positions	Weight
1825503592	G 1/8	2	0.11 kg
1825503593	G 1/8	3	0.15 kg
1825503594	G 1/8	4	0.189 kg
1825503595	G 1/8	5	0.189 kg
1825503596	G 1/8	6	0.27 kg
1825503597	G 1/8	7	0.306 kg
1825503598	G 1/8	8	0.353 kg
1825503599	G 1/8	9	0.389 kg
1825503600	G 1/8	10	0.427 kg

Technical information

The min. control pressure must be adhered to, since otherwise faulty switching and valve failure may result!

The pressure dew point must be at least 15 °C under ambient and medium temperature and may not exceed 3 °C .

The oil content of compressed air must remain constant during the life cycle.

Use only the approved oils from AVENTICS. Further information can be found in the "Technical information" document (available in the MediaCentre).

Technical information

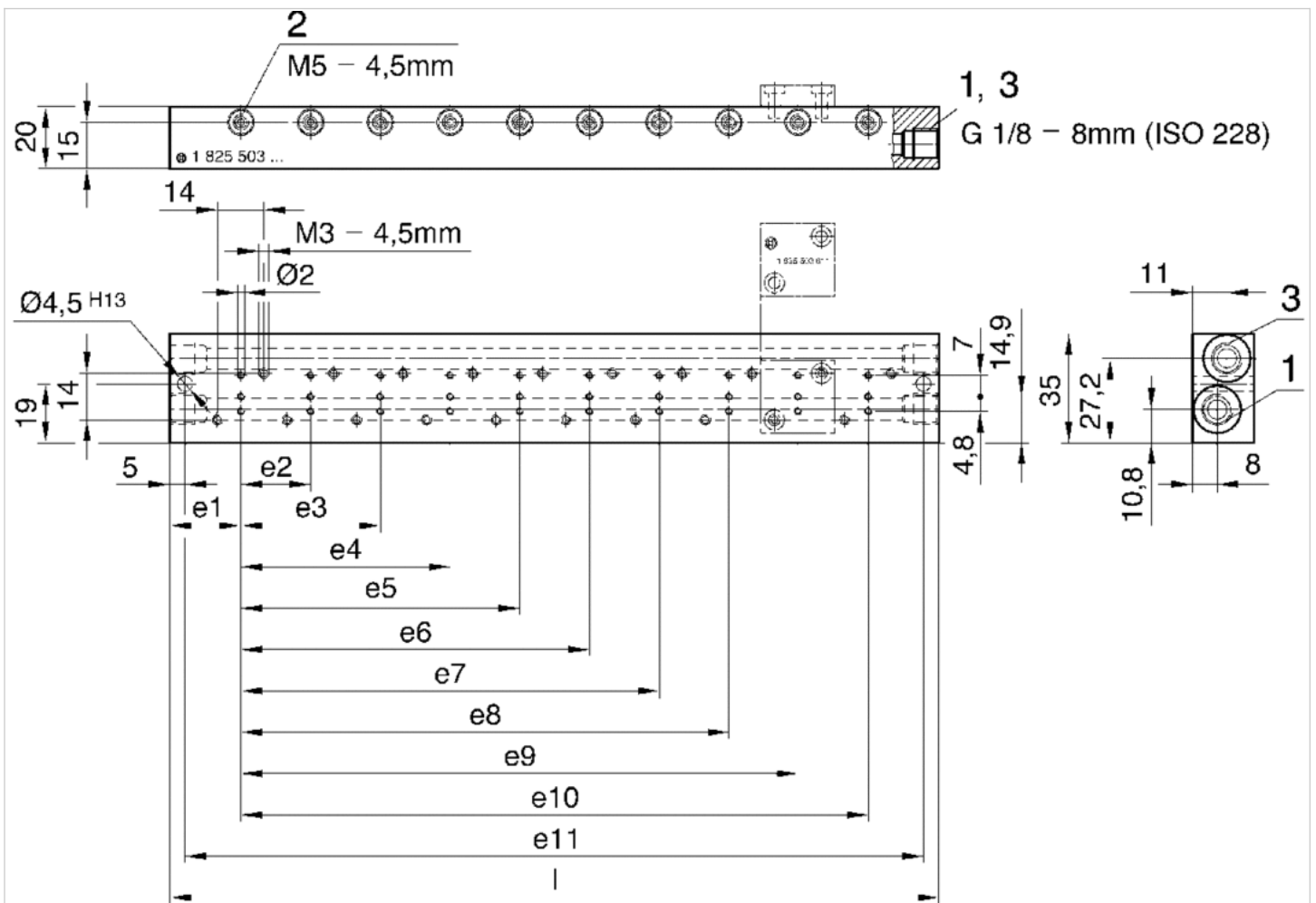
Material

Base plate

Aluminum

Dimensions

Dimensions



Dimensions

Part No.	e1	e2	e3	e4	e5	e6	e7	e8	e9	e10	e11	l	Weight
1825503592	22	23	-	-	-	-	-	-	-	-	57	67	0.11 kg
1825503593	22	23	46	-	-	-	-	-	-	-	80	90	0.15 kg
1825503594	22	23	46	69	-	-	-	-	-	-	103	113	0.189 kg
1825503595	22	23	46	69	92	-	-	-	-	-	126	136	0.189 kg
1825503596	22	23	46	69	92	115	-	-	-	-	149	159	0.27 kg
1825503597	22	23	46	69	92	115	138	-	-	-	173	182	0.306 kg
1825503598	22	23	46	69	92	115	138	161	-	-	195	205	0.353 kg
1825503599	22	23	46	69	92	115	138	161	184	-	218	228	0.389 kg
1825503600	22	23	46	69	92	115	138	161	184	207	241	251	0.427 kg

Manifold block, Series DO22

- Compressed air connection output Ø 4



Version	Single plug-in wiring
Working pressure min./max.	0 ... 10 bar
Medium	Compressed air
Grid dimension	23 mm
Direction of pneumatic port (2,4)	On the side
Exhaust (3,5)	With directional exhaust (3/5)
Mounting screw	M3
Weight	See table below

Technical data

Part No.	Compressed air connection Input [1]	Compressed air connection Output [2 / 4]
1825503602	G 1/8	Ø 4
1825503603	G 1/8	Ø 4
1825503604	G 1/8	Ø 4
1825503605	G 1/8	Ø 4
1825503606	G 1/8	Ø 4
1825503607	G 1/8	Ø 4
1825503608	G 1/8	Ø 4
1825503609	G 1/8	Ø 4
1825503610	G 1/8	Ø 4

Part No.	Compressed air connection Exhaust [3 / 5]	Number of valve positions	Weight
1825503602	G 1/8	2	0.114 kg
1825503603	G 1/8	3	0.115 kg
1825503604	G 1/8	4	0.197 kg
1825503605	G 1/8	5	0.236 kg
1825503606	G 1/8	6	0.28 kg
1825503607	G 1/8	7	0.318 kg
1825503608	G 1/8	8	0.363 kg
1825503609	G 1/8	9	0.404 kg
1825503610	G 1/8	10	0.444 kg

Technical information

The min. control pressure must be adhered to, since otherwise faulty switching and valve failure may result!

The pressure dew point must be at least 15 °C under ambient and medium temperature and may not exceed 3 °C .

The oil content of compressed air must remain constant during the life cycle.

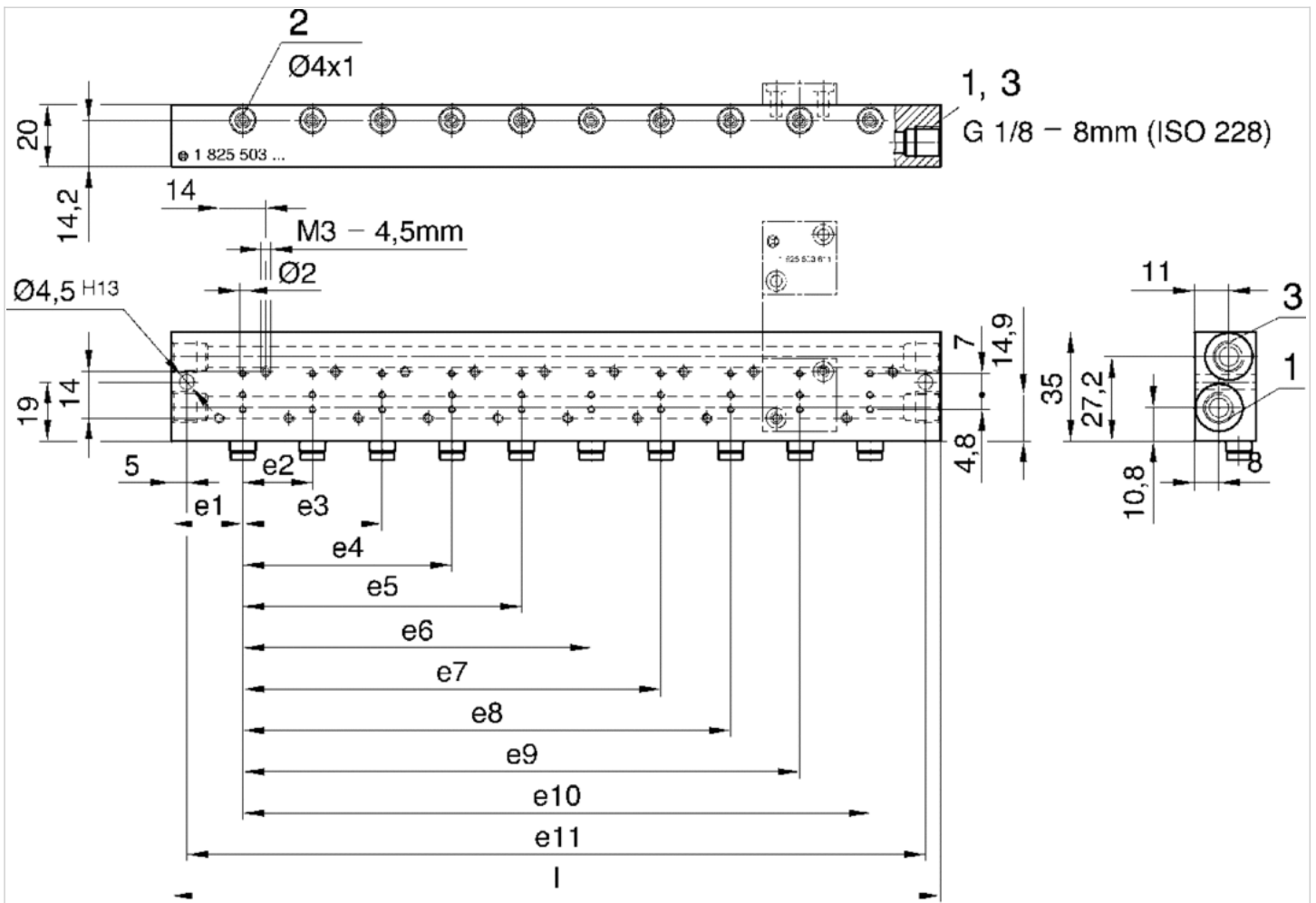
Use only the approved oils from AVENTICS. Further information can be found in the "Technical information" document (available in the MediaCentre).

Technical information

Material	
Base plate	Aluminum
push-in fitting	Brass

Dimensions

Dimensions



Dimensions

Part No.	e1	e2	e3	e4	e5	e6	e7	e8	e9	e10	e11	l	Weight
1825503602	22	23	-	-	-	-	-	-	-	-	57	67	0.114 kg
1825503603	22	23	46	-	-	-	-	-	-	-	80	90	0.115 kg
1825503604	22	23	46	69	-	-	-	-	-	-	103	113	0.197 kg
1825503605	22	23	46	69	92	-	-	-	-	-	126	136	0.236 kg
1825503606	22	23	46	69	92	115	-	-	-	-	149	159	0.28 kg
1825503607	22	23	46	69	92	115	138	-	-	-	173	182	0.318 kg
1825503608	22	23	46	69	92	115	138	161	-	-	195	205	0.363 kg
1825503609	22	23	46	69	92	115	138	161	184	-	218	228	0.404 kg

Part No.	e1	e2	e3	e4	e5	e6	e7	e8	e9	e10	e11	l	Weight
1825503610	22	23	46	69	92	115	138	161	184	207	241	251	0.444 kg

Manifold block, Series D022

- Compressed air connection output M5



Version	Single plug-in wiring
Working pressure min./max.	0 ... 10 bar
Medium	Compressed air
Grid dimension	23 mm
Direction of pneumatic port (2,4)	On the side
Exhaust (3,5)	uncollected exhaust
Mounting screw	M3
Weight	See table below

Technical data

Part No.	Compressed air connection Input [1]	Compressed air connection Output [2 / 4]
1825503318	G 1/8	M5
1825503319	G 1/8	M5
1825503320	G 1/8	M5
1825503321	G 1/8	M5
1825503322	G 1/8	M5

Part No.	Number of valve positions	Weight
1825503318	1	0.049 kg
1825503319	2	0.079 kg
1825503320	3	0.1 kg
1825503321	4	0.126 kg
1825503322	5	0.154 kg

Technical information

The min. control pressure must be adhered to, since otherwise faulty switching and valve failure may result!

The pressure dew point must be at least 15 °C under ambient and medium temperature and may not exceed 3 °C .

The oil content of compressed air must remain constant during the life cycle.

Use only the approved oils from AVENTICS. Further information can be found in the "Technical information" document (available in the MediaCentre).

Technical information

Material	
Surface	anodized
Base plate	Aluminum

Blanking plate, Series D022



Working pressure min./max.	0 ... 10 bar
Ambient temperature min./max.	-10 ... 50 °C
Medium temperature min./max.	-10 ... 50 °C
Medium	Compressed air
Number of valve positions max.	1
Grid dimension	23 mm
Mounting screw	M3
Weight	0.011 kg

Technical data

Part No.
1825503368

Technical information

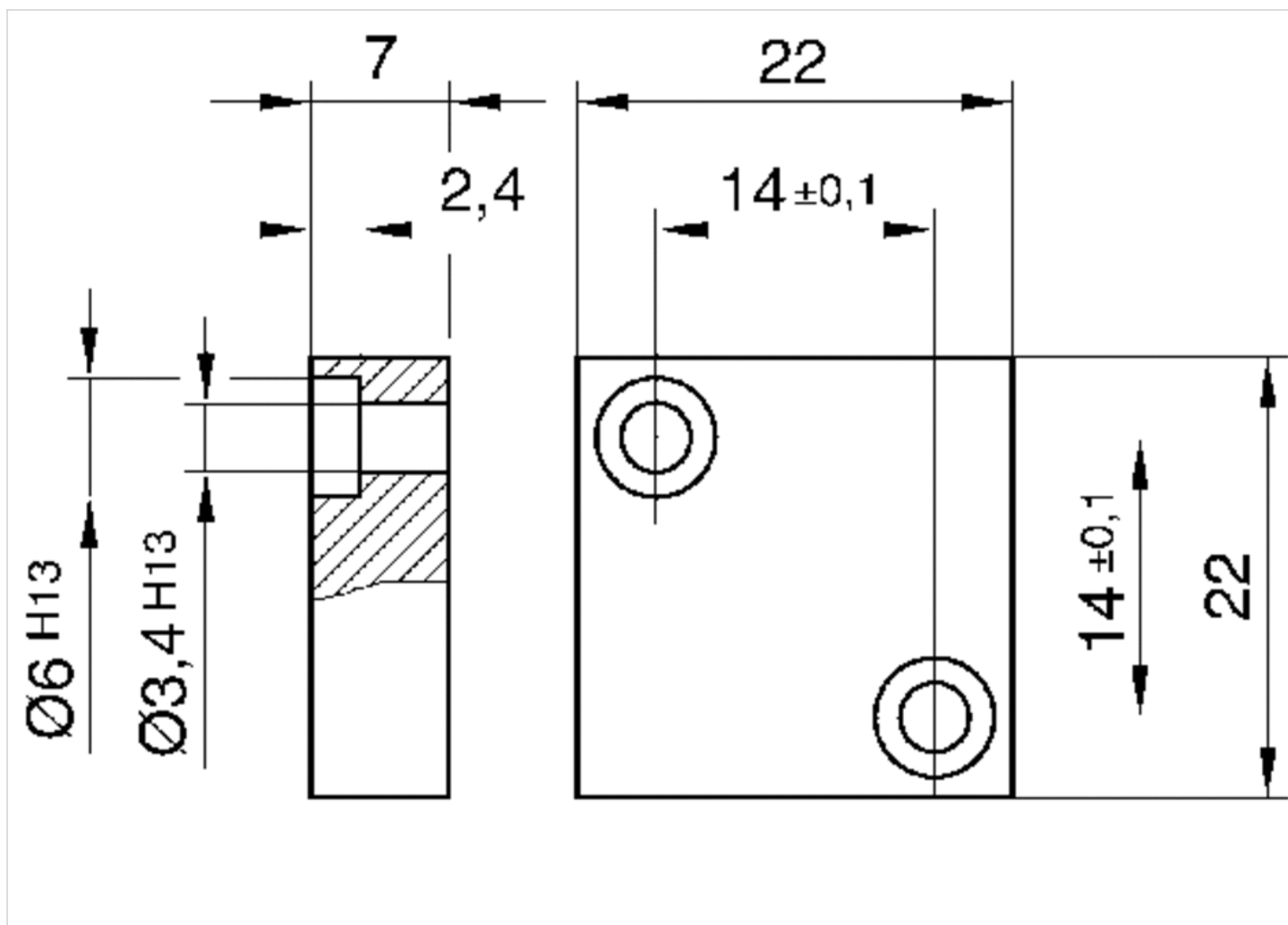
The min. control pressure must be adhered to, since otherwise faulty switching and valve failure may result!
 The pressure dew point must be at least 15 °C under ambient and medium temperature and may not exceed 3 °C .
 The oil content of compressed air must remain constant during the life cycle.
 Use only the approved oils from AVENTICS. Further information can be found in the "Technical information" document (available in the MediaCentre).

Technical information

Material	
Housing	Aluminum, anodized
Seal	Acrylonitrile butadiene rubber
Screws	Steel, galvanized

Dimensions

Dimensions



Single subbase, Series D022

- Compressed air connection output M5



Working pressure min./max.	0 ... 10 bar
Medium	Compressed air
Number of valve positions max.	1
Direction of pneumatic port (2,4)	On the side
Exhaust (3,5)	With directional exhaust (3/5)
Mounting screw	M3
Weight	0.135 kg

Technical data

Part No.	Compressed air connection Input [1]	Compressed air connection Output [2 / 4]
1825503591	M5	M5

Part No.	Compressed air connection Exhaust [3 / 5]
1825503591	M5

Technical information

The min. control pressure must be adhered to, since otherwise faulty switching and valve failure may result!

The pressure dew point must be at least 15 °C under ambient and medium temperature and may not exceed 3 °C .

The oil content of compressed air must remain constant during the life cycle.

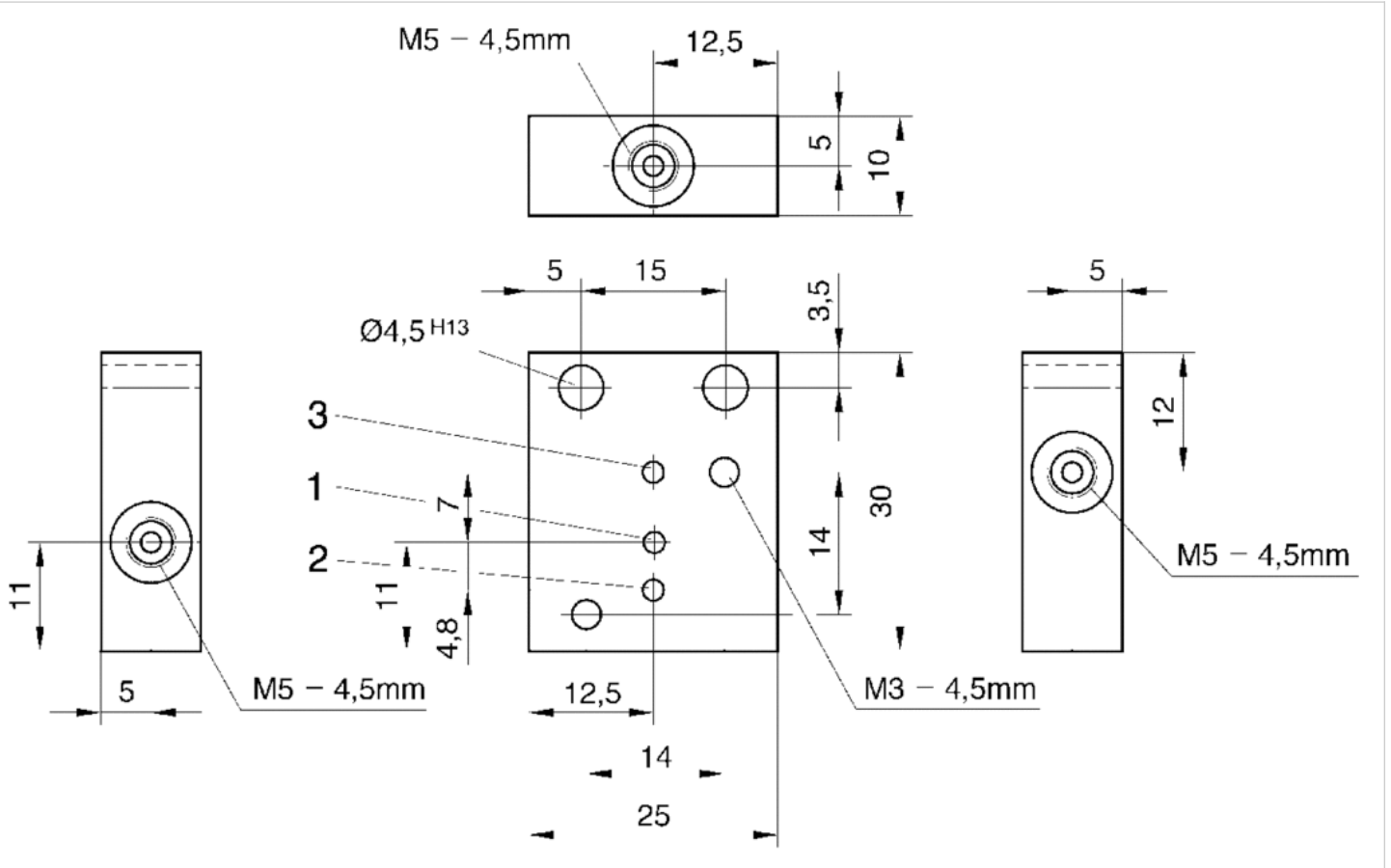
Use only the approved oils from AVENTICS. Further information can be found in the "Technical information" document (available in the MediaCentre).

Technical information

Material	
Base plate	Aluminum

Dimensions

Dimensions



Manifold block, Series DO30



Working pressure min./max.	0 ... 10 bar
Ambient temperature min./max.	-15 ... 80 °C
Medium	Compressed air
Direction of pneumatic port (1)	On the side
Weight	See table below

Technical data

Part No.	Compressed air connection Input [1]	Number of valve positions	Weight
1825503236	G 1/8	1	0.045 kg
1825503237	G 1/8	2	0.09 kg
1825503238	G 1/8	3	0.135 kg
1825503239	G 1/8	4	0.18 kg
1825503240	G 1/8	5	0.225 kg
1825503241	G 1/8	6	0.275 kg

Technical information

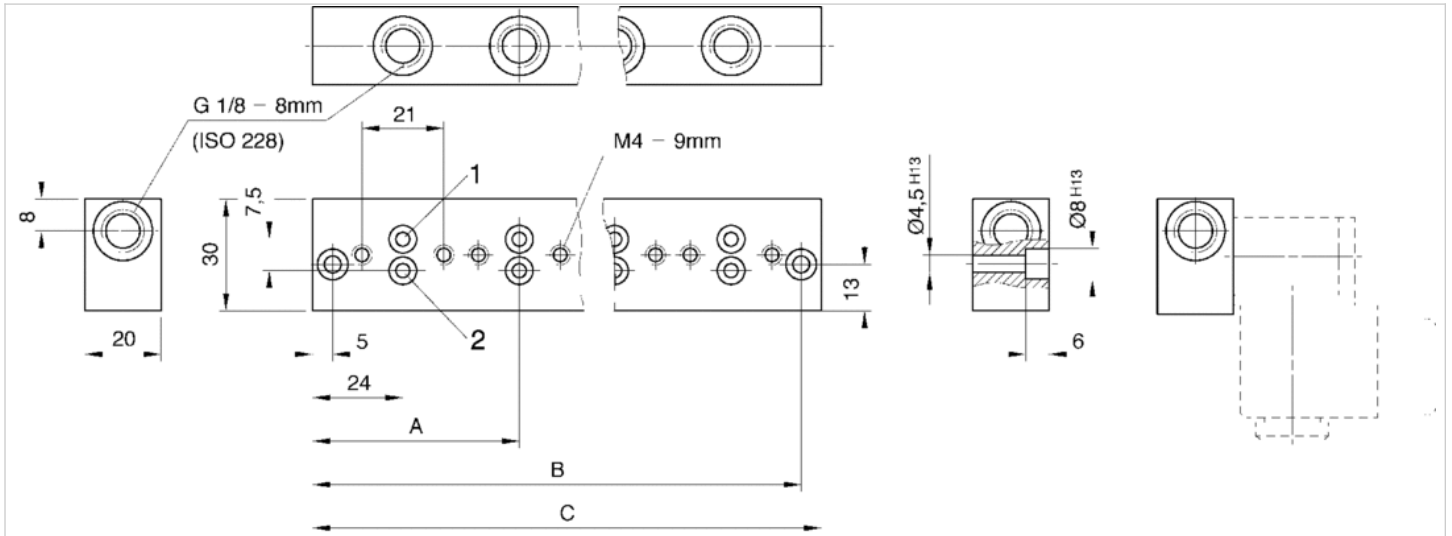
The min. control pressure must be adhered to, since otherwise faulty switching and valve failure may result!
 The pressure dew point must be at least 15 °C under ambient and medium temperature and may not exceed 3 °C .
 The oil content of compressed air must remain constant during the life cycle.
 Use only the approved oils from AVENTICS. Further information can be found in the "Technical information" document (available in the MediaCentre).

Technical information

Material	
Base plate	Aluminum
Seal	Acrylonitrile butadiene rubber

Dimensions

Dimensions



Dimensions

Part No.	A	B	C	Weight
1825503236	-	43	48	0.045 kg
1825503237	55	74	79	0.09 kg
1825503238	86	105	110	0.135 kg
1825503239	117	136	141	0.18 kg
1825503240	148	167	172	0.225 kg
1825503241	179	198	203	0.275 kg

Blanking plate, Series DO30



Working pressure min./max.	0 ... 10 bar
Ambient temperature min./max.	-15 ... 50 °C
Medium temperature min./max.	-15 ... 50 °C
Medium	Compressed air
Number of valve positions max.	1
Grid dimension	31 mm
Mounting screw	M4
Weight	0.022 kg

Technical data

Part No.

1825503374

Technical information

The min. control pressure must be adhered to, since otherwise faulty switching and valve failure may result!

The pressure dew point must be at least 15 °C under ambient and medium temperature and may not exceed 3 °C .

The oil content of compressed air must remain constant during the life cycle.

Use only the approved oils from AVENTICS. Further information can be found in the "Technical information" document (available in the MediaCentre).

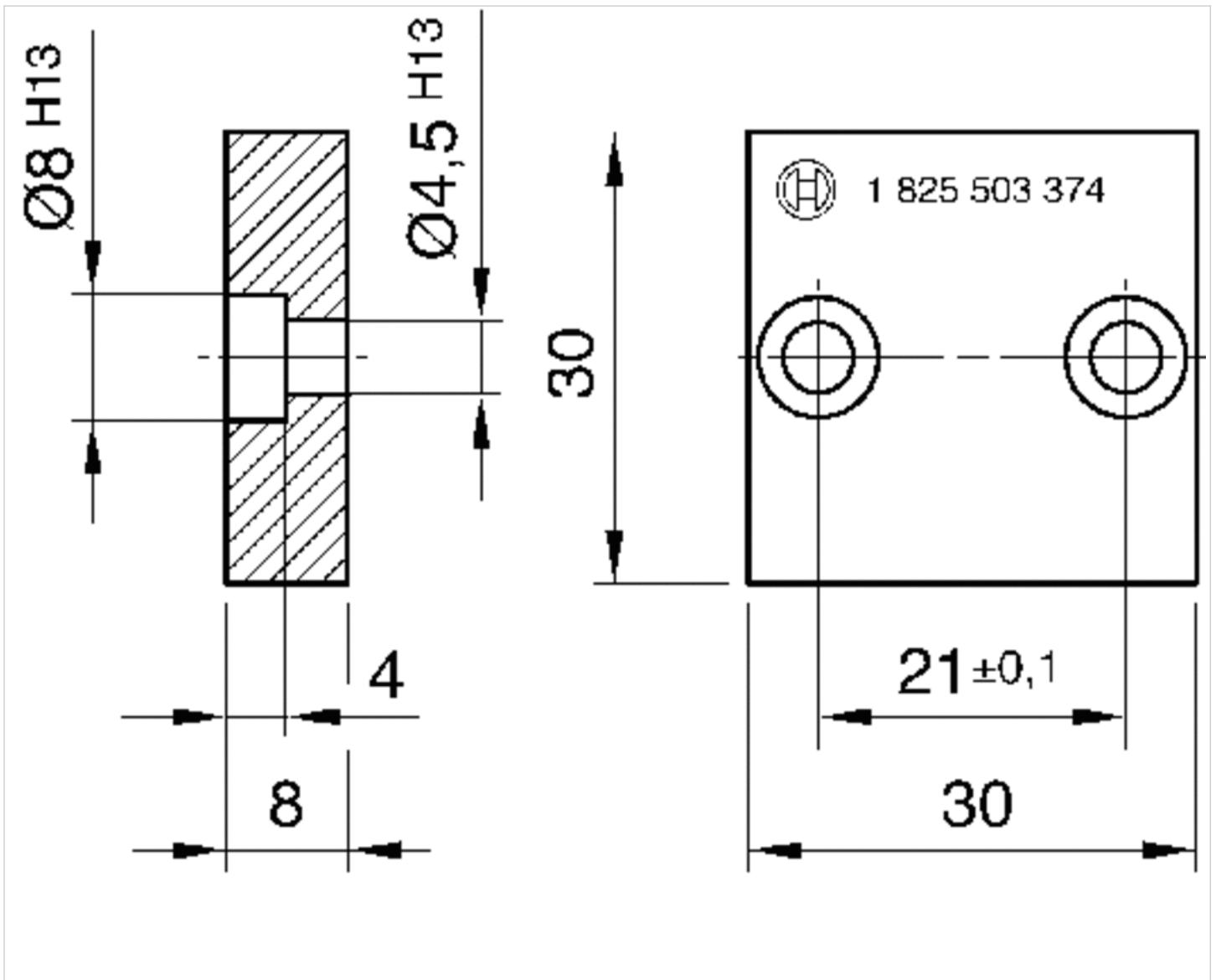
Technical information

Material

Housing	Aluminum
Screws	Steel, galvanized

Dimensions

Dimensions



Subbase, Series D035

- Compressed air connection output G 1/8
- Can be assembled into blocks
- Single base plate principle



Working pressure min./max.	1 ... 10 bar
Ambient temperature min./max.	50 °C
Medium	Compressed air
Grid dimension	34 mm
Direction of pneumatic port (2,4)	On the side
Mounting screw	with hexagon socket
Weight	See table below

Technical data

Part No.	Type	Compressed air connection Input [1]	Compressed air connection Output [2 / 4]
1825503369	Single subbase	G 1/8	G 1/8
1825503370	Manifold subbase	G 1/8	G 1/8

Part No.	Weight	Fig.
1825503369	0.057 kg	Fig. 1
1825503370	0.125 kg	Fig. 2

Scope of delivery incl. seal and mounting screws

Technical information

The min. control pressure must be adhered to, since otherwise faulty switching and valve failure may result!
 The pressure dew point must be at least 15 °C under ambient and medium temperature and may not exceed 3 °C .
 The oil content of compressed air must remain constant during the life cycle.
 Use only the approved oils from AVENTICS. Further information can be found in the "Technical information" document (available in the MediaCentre).

Technical information

Material	
Base plate	Die-cast aluminum
Seal	Acrylonitrile butadiene rubber

Dimensions

Fig. 1

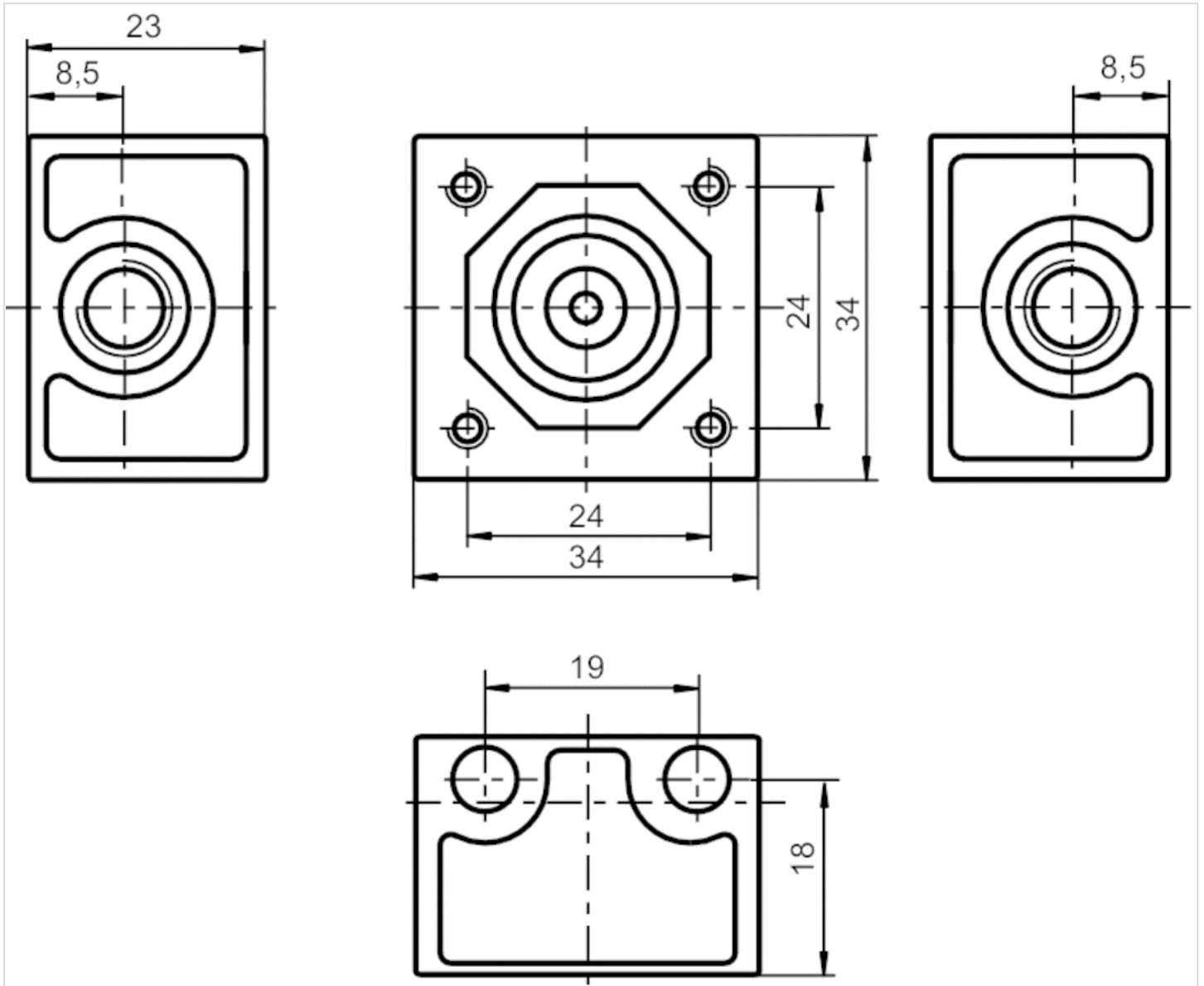
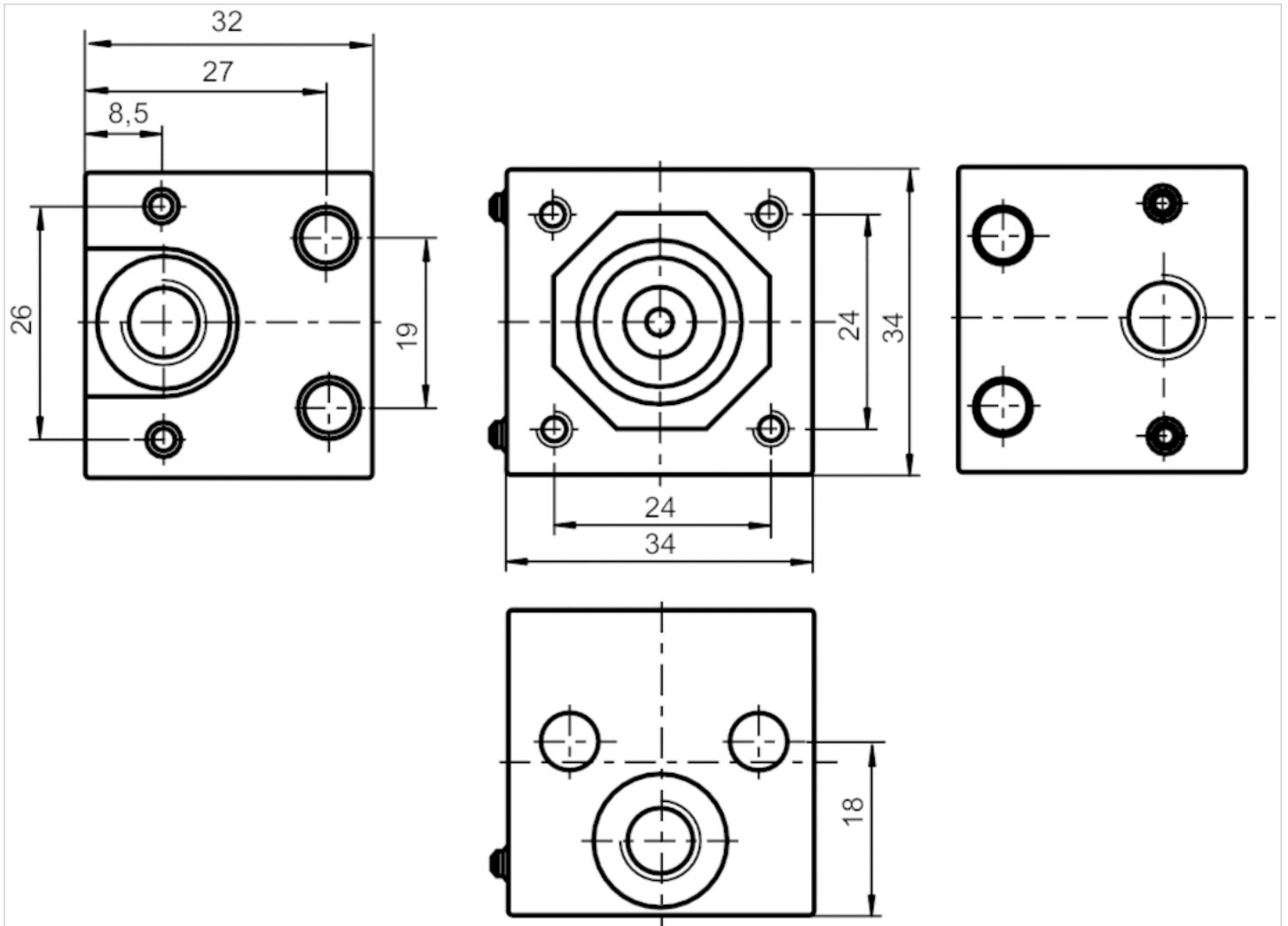


Fig. 2



Mounting bracket kit, Series D035



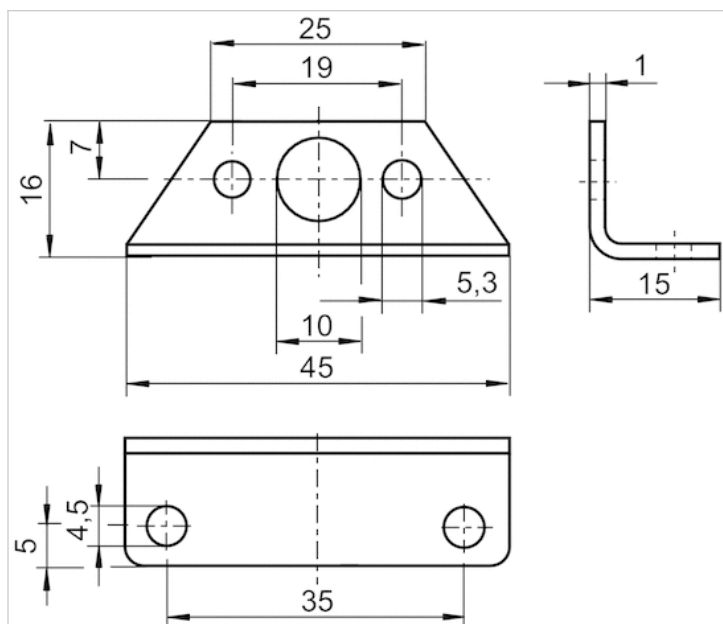
Weight

0.03 kg

Technical data

Part No.	Type	Delivery unit
1827010423	Mounting bracket kit	2 piece

Dimensions



Blanking screw, gasket

- M5

- FPT-S-RBI



Working pressure min./max.

0 ... 16 bar

Ambient temperature min./max.

-20 ... 80 °C

The delivered product may vary from that in the illustration.

Technical data

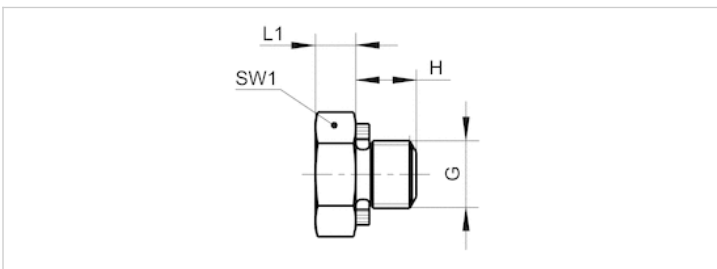
Part No.	Port G	Delivery unit
1823462016	M5	25 piece

Technical information

Material	
Material	Steel, galvanized
Seal	Polyvinyl chloride, hard

Dimensions

Dimensions



Dimensions

Port G	H	L1	SW1
M5	4.5	3	8

Blanking screw, gasket

- G 1/8 G 1/4 G 3/8 G 1/2 G 3/4 G 1

- FPT-S-RBI



Working pressure min./max.

0 ... 16 bar

Ambient temperature min./max.

-20 ... 80 °C

The delivered product may vary from that in the illustration.

Technical data

Part No.	Port G	Delivery unit
1823462028	G 1/8	25 piece
1823462029	G 1/4	25 piece
1823462030	G 3/8	25 piece
1823462031	G 1/2	25 piece
1823462032	G 3/4	10 piece
1823462033	G 1	5 piece

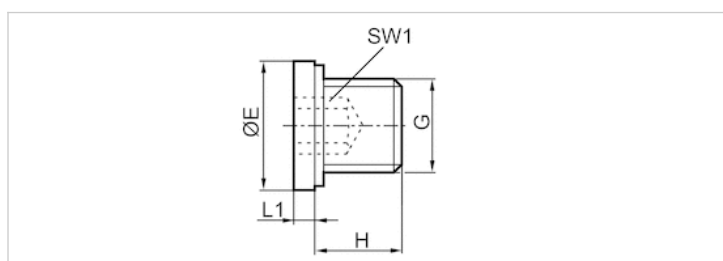
Technical information

Material

Material	Steel, galvanized
Seal	Polyvinyl chloride, hard

Dimensions

Dimensions



Dimensions

Port G	Ø E	H	L1	SW1
G 1/8	14	8	3	5
G 1/4	18	12	3	6
G 3/8	22	12	3	8
G 1/2	26	14	4	10
G 3/4	32	16	4	12
G 1	39	16	5	17

Efficient pneumatic solutions, our program: cylinders and drives, valves and valve systems, air supply management



Visit us: [Emerson.com/Aventics](https://www.emerson.com/Aventics)

Your local contact: [Emerson.com/contactus](https://www.emerson.com/contactus)



[Emerson.com](https://www.emerson.com)



[Facebook.com/EmersonAutomationSolutions](https://www.facebook.com/EmersonAutomationSolutions)



[LinkedIn.com/company/Emerson-Automation-Solutions](https://www.linkedin.com/company/Emerson-Automation-Solutions)



[Twitter.com/EMR_Automation](https://twitter.com/EMR_Automation)

An example configuration is depicted on the title page. The delivered product may thus vary from that in the illustration. Subject to change. This Document, as well as the data, specifications and other information set forth in it, are the exclusive property of AVENTICS GmbH. It may not be reproduced or given to third parties without its consent. Only use the AVENTICS products shown in industrial applications. Read the product documentation completely and carefully before using the product. Observe the applicable regulations and laws of the respective country. When integrating the product into applications, note the system manufacturer's specifications for safe use of the product. The data specified only serve to describe the product. No statements concerning a certain condition or suitability for a certain application can be derived from our information. The information given does not release the user from the obligation of own judgment and verification. It must be remembered that the products are subject to a natural process of wear and aging.

The Emerson logo is a trademark and service mark of Emerson Electric Co. Brand logotype are registered trademarks of one of the Emerson family of companies. All other marks are the property of their respective owners. © 2017 Emerson Electric Co. All rights reserved.
2022-10-26



CONSIDER IT SOLVED™