






Festo compatible

Ø32 mm - Ø63 mm | 1112 / 2538 / 2334 | 05-01-2024

UNIC
STAINLESS CYLINDER

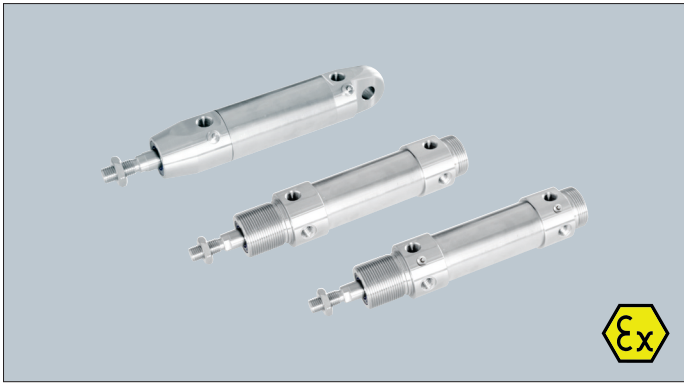
Type overview

Type	1112 	2538 	2334 
------	---	---	---

Cylinder accessories					
					

Festo compatible

Ø32 mm - Ø63 mm | 1112 / 2538 / 2334 | 05-01-2024

Specifications

Diameter:	Ø32 mm - Ø63 mm
Replaces:	CRDSNU / CRDSW
Working pressure:	10 bar
Temperature:	-20°C til +80°C
Standard strokes:	10-500 mm

Materials

Piston rod, Accessories, Cylinder tube, Front and rear caps	AISI 304 / (EN 1.4301)
Piston:	POM
Wiper:	Nitrile rubber / polyurethane
O-rings:	Viton

Standard

Magnet for detection
Adjustable end stroke-cushioning

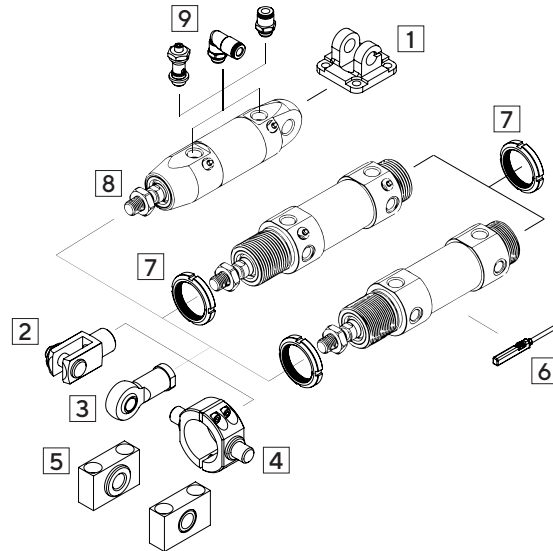
Options

AISI 316L (EN 1.4404)
Cylinder with enhanced chemical resistance
Heat-resistant cylinder max +150°C
Customized according to request
Renovation / Rep. kit (Page 54)

Ordering key

Ø40 x 150 mm = **U040 0150 2538**

Heat-resistant cylinder	H
(Does not apply 1112):	
Chemical resistant cylinder:	C
Cylinder with PTFE wiper:	P



Tilbehør

Side ->

1	Clevis mounting, slim	45
2	Stempelstangsgaffel	40
3	Rod clevis	40
4	Rod eye	46
5	Pivot attachment	47
6	Reed sensor	48
7	Neck nut	38
8	Piston rod nut	39
9	Fittings	49

Theoretical cylinder forces given in Newton

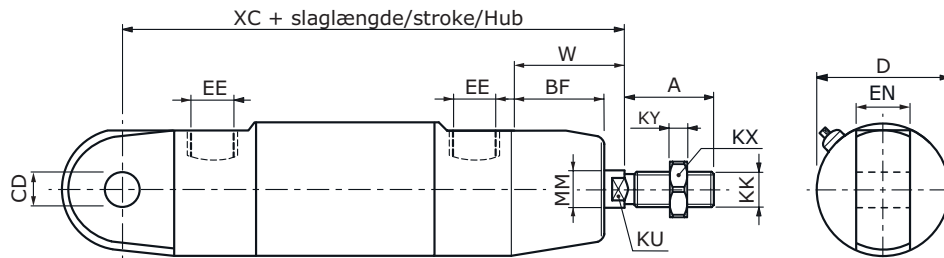
Cyl.Ø	Piston rod Ø	Piston area cm ²		3 bar		4 bar		5 bar			
		•	o	•	o	•	o	•	o		
32	12	8,0	6,9	212	182	282	243	352	304		
40	16	12,6	10,6	333	282	444	373	554	466		
50	20	19,6	16,5	517	436	690	581	862	726		
63	20	31,1	28,0	824	739	1098	986	1373	1232		
		6 bar		7 bar		8 bar		9 bar		10 bar	
		•	o	•	o	•	o	•	o	•	o
422	364	493	425	563	486	634	546	704	607		
665	560	776	653	887	746	998	840	1109	933		
1035	871	1207	1016	1380	1162	1552	1307	1725	1452		
1647	1478	1923	1725	2196	1971	2471	2218	2746	2464		



Festo compatible

Technical data | 05-01-2024

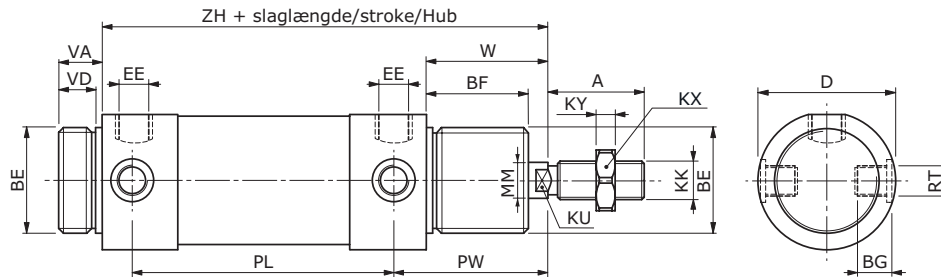
UNIC
STAINLESS CYLINDER



1112

Ø	A	BF	CD	D	EE	EN	KK	KU	KX	KY	MM	W	XC
32	22	20	Ø10	33,6	G1/8"	14	M10x1,25	10	17	5	Ø12	34	118
40	24	22	Ø12	41,6	G1/4"	16	M12x1,25	13	19	6	Ø16	39	140
50	32	29	Ø16	52,4	G1/4"	21	M16x1,50	17	24	6	Ø20	44	147
63	32	29	Ø16	65,4	G3/8"	21	M16x1,50	17	24	6	Ø20	44	156

*Note. All dimensions are with 0.0 mm stroke.



2538/2334

Ø	A	BE	BF	BG	D	EE	KK	KU	KX	KY	MM	PL	PW	RT	VA	VD	W	ZH
32	22	M30x1,50	30	6,6	38	G1/8"	M10x1,25	10	17	5	Ø12	78	47	M8x1,00	14	12	38	134
40	24	M38x1,50	35	9,6	49	G1/4"	M12x1,25	13	19	6	Ø16	89	57	M10x1,00	16	13	45	158
50	32	M45x1,50	38	12,6	59	G1/4"	M16x1,50	17	24	6	Ø20	96	62	M12x1,50	18	15	50	170
63	32	M45x1,50	38	15,5	70	G3/8"	M16x1,50	17	24	6	Ø20	98	63	M14x1,50	18	15	50	174

*Note. All dimensions are with 0.0 mm stroke.