



Standard cylinder DIN/ISO 15552

Ø32 mm - Ø63 mm | 05-01-2024

UNIC
STAINLESS CYLINDER

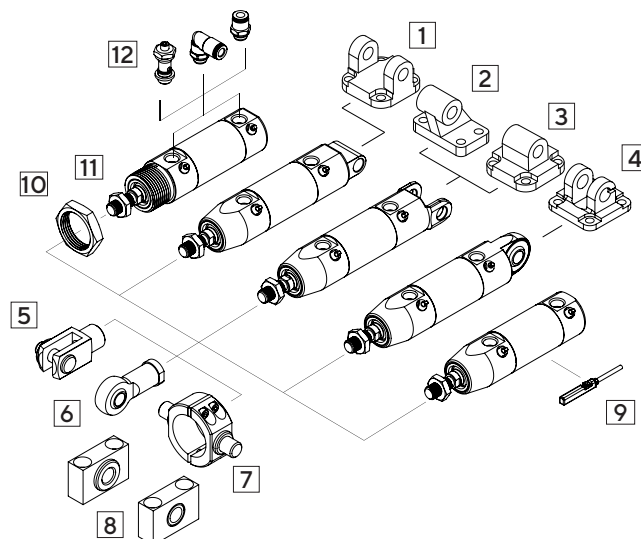
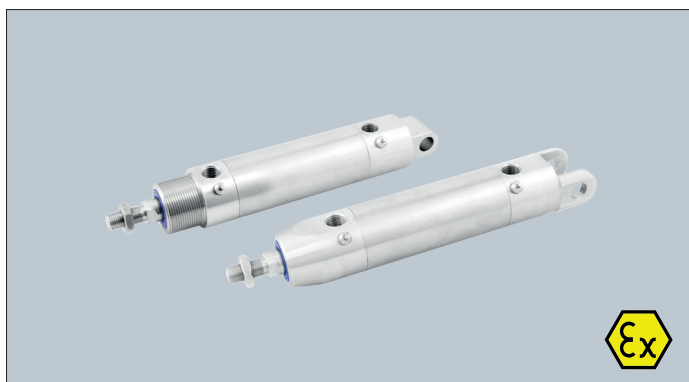
		Type overview				
Front caps	09	11	05 *Ø20 - Ø25	07 *Ø20 - Ø25		
	Rear caps	14	16	18	24	26

Cylinder accessories					

Standard cylinder DIN/ISO 15552

Ø32 mm - Ø63 mm | 05-01-2024

UNIC
STAINLESS CYLINDER



Specifications

Diameter:	Ø32 mm - Ø63 mm
Standard:	DIN/ISO 15552
Working pressure:	3 bar to 10 bar
Temperature:	-20°C til +80°C
Standard strokes:	10-500 mm

Materials

Piston rod, Accessories, Cylinder tube, Front and rear caps	AISI 304 / (EN 1.4301)
Piston:	POM / Aluminium
Wiper:	Nitrile rubber / polyurethane
O-rings:	Viton

Standard

Magnet for detection
Adjustable end stroke-cushioning

Options

AISI 316L (EN 1.4404)
ATEX
Cylinder with enhanced chemical resistance
Heat-resistant cylinder max +150°C
Adapter
Spring return or forward
Customized according to request
Renovation / Rep. kit (Page 54)

Ordering key

Ø40 x 150 mm = **U040 0150 0918P**

Heat-resistant cylinder:	H
Chemical resistant cylinder:	C
Cylinder with PTFE wiper:	P
Cylinder with adapter	A1 or A2

Accessories

Page ->

1	Clevis mounting	43
2	Counter-support	42
3	Clevis mounting, slim	42
4	Counter with rod eye	45
5	Stempelstangsgaffel	28
6	Sfærisk ledøje	28
7	Central drejebeslag	32
8	Lejebuk for drejebeslag	33
9	Reedsensor	48
10	Halsmøtrik	39
11	Stempelstangsmøtrik	39
13	Fittings	49
11	Fittings	35

Theoretical cylinder forces given in Newton

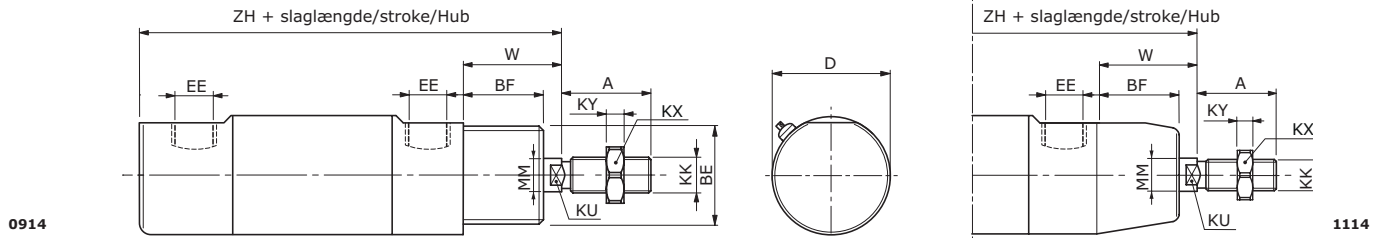
Cyl.Ø	Piston rod Ø	Piston area cm ²		3 bar		4 bar		5 bar					
		•	o	•	o	•	o	•	o				
32	12	8	6,9	212	182	282	243	352	304				
40	16	12,6	10,6	33	282	444	373	554	466				
50	20	19,6	16,5	517	436	581	486	726	607				
63	20	31,1	28	824	739	1098	986	1373	1232				
				6 bar		7 bar		8 bar		9 bar		10 bar	
				•	o	•	o	•	o	•	o	•	o
		422	364	493	425	563	486	634	546	704	607		
		665	560	776	653	887	746	998	842	1109	933		
		1035	871	1207	1016	1380	1162	1552	1307	1725	1452		
		1647	1478	1923	1725	2196	1971	2471	2218	2746	2464		



Standard cylinder DIN/ISO 15552

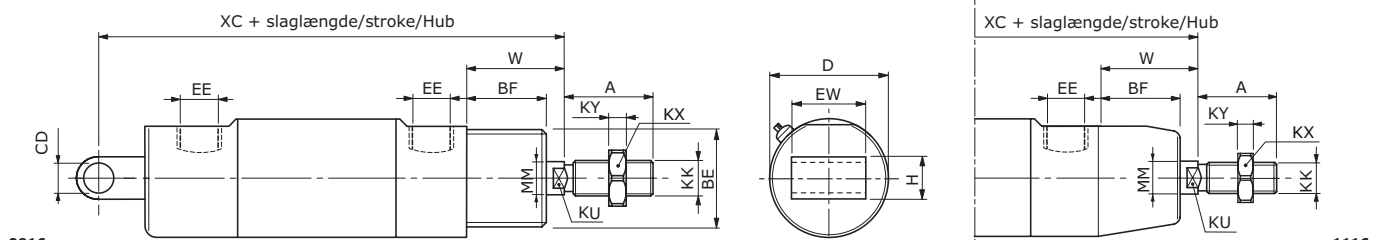
UNIC
STAINLESS CYLINDER

Technical data | 28-08-2023



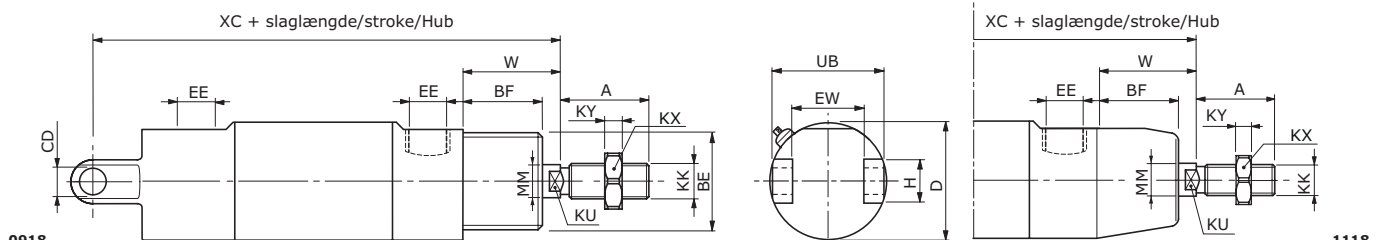
0914

1114



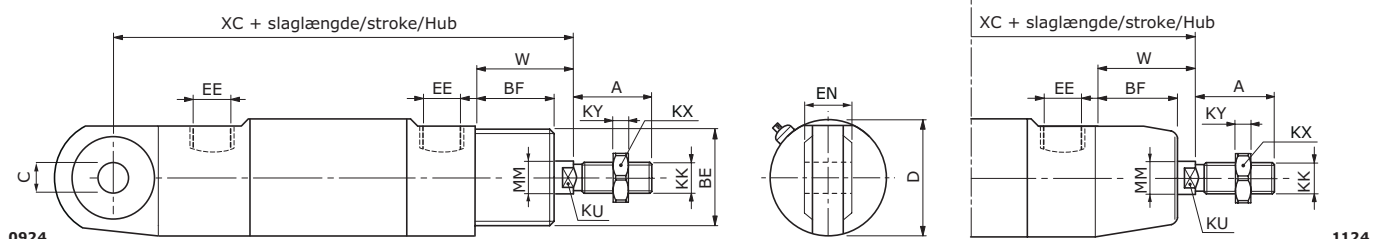
0916

1116



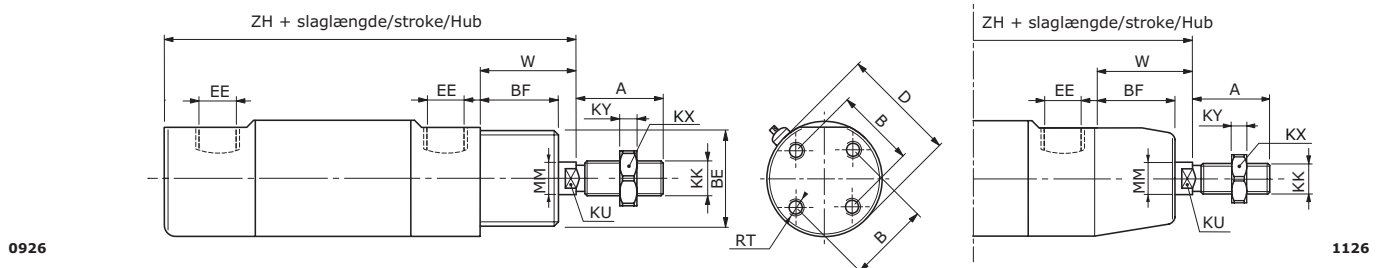
0918

1118



0924

1124



0926

1126

Ø	A	B	BE	BF	C	CD	D	EE	EW	H	KK	KU	KX	KY	MM	RT	W	XC	ZH
32	22	25	M30x1,50	20	Ø10	Ø10	33,60	G1/8"	26	15	M10x1,25	10	17	5	Ø12	M5	27	143	121
40	24	32	M36x1,50	22	Ø12	Ø12	41,60	G1/4"	28	20	M12x1,25	13	19	6	Ø16	M6	31	161	136
50	32	38	M42x1,50	29	Ø16	Ø12	52,40	G1/4"	32	20	M16x1,50	17	24	6	Ø20	M8	38	171	144
63	32	38	M42x1,50	29	Ø16	Ø16	65,40	G"3/8"	40	22	M16x1,50	17	24	6	Ø20	M8	38	191	159

*Note. All dimensions are with 0.0 mm stroke.







Standard cylinder DIN/ISO 15552

Ø80 mm - Ø125 mm | 05-01-2024

UNIC
STAINLESS CYLINDER

Type overview

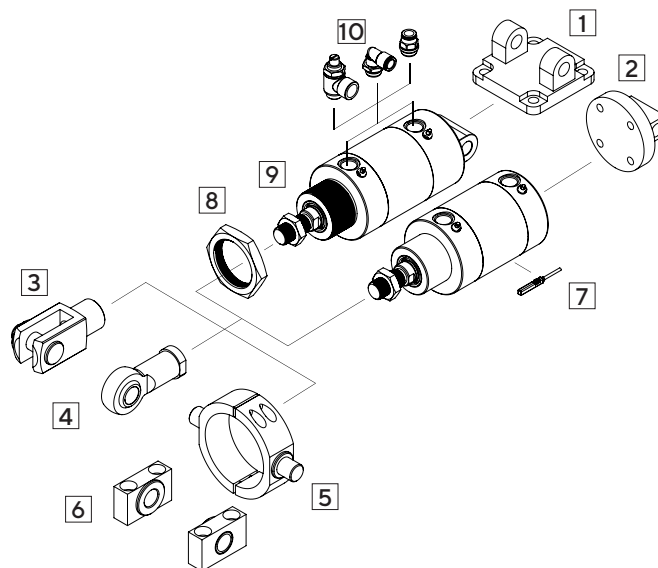
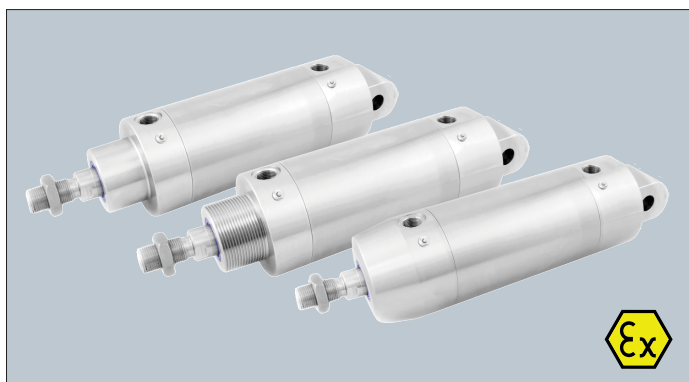
Front caps	 <p>13</p>	 <p>17</p>
Rear caps	 <p>20</p>	 <p>28</p>

Cylinder accessories					
					
					
					

Standard cylinder DIN/ISO 15552

Ø80 mm - Ø125 mm | 05-01-2024

UNIC
STAINLESS CYLINDER



Specifications

Diameter:	Ø80 mm - Ø125 mm
Standard:	DIN/ISO 15552
Working pressure:	3 bar to 10 bar
Temperature:	-20°C til +80°C
Standard strokes:	10-500 mm

Materials

Piston rod, Accessories, Cylinder tube, Front and rear caps	AISI 304 / (EN 1.4301)
Piston:	POM / Aluminium
Wiper:	Nitrile rubber / polyurethane
O-rings:	Viton

Standard

Magnet for detection
Adjustable end stroke-cushioning

Options

AISI 316L (EN 1.4404)
ATEX
Cylinder with enhanced chemical resistance
Heat-resistant cylinder max +150°C
Adapter
Spring return or forward
Customized according to request
Renovation / Rep. kit (Page 54)

Ordering key

Ø100 x 200 mm = **U100 0200 1720A1**

Heat-resistant cylinder:	H
Chemical resistant cylinder:	C
Cylinder with PTFE wiper:	P
Cylinder with adapter	A1 or A2

Accessories

Page ->

1	Clevis mounting	43
2	Counter-support	44
3	Rod clevis	40
4	Rod eye	40
5	Pivot attachment	46
6	Swivel bearing	47
7	Reed sensor	48
8	Neck nut	39
9	Piston rod nut	39
10	Fittings	49

Theoretical cylinder forces given in Newton

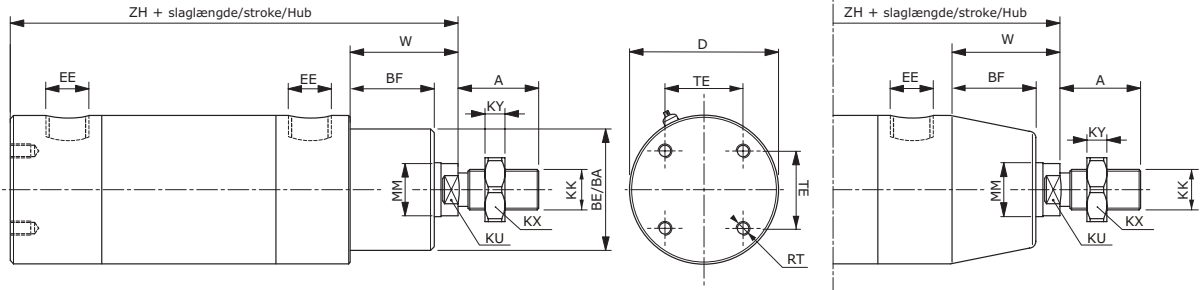
Cyl.Ø	Piston rod Ø	Piston area cm²		3 bar		4 bar		5 bar					
		•	o	•	o	•	o	•	o				
80	25	50,3	45,3	1328	1199	1771	1598	2213	1998				
100	25	78,5	73,6	2072	1943	2763	2591	3454	3238				
125	32	122,7	114,6	3239	3028	4319	4037	5399	5047				
				6 bar		7 bar		8 bar		9 bar		10 bar	
				•	o	•	o	•	o	•	o	•	o
				2656	2397	3098	2797	3541	3196	3984	3596	4426	3995
				4145	3886	4836	4534	5526	5181	6217	5829	6908	6477
				6479	6056	7558	7066	8638	8075	9718	9084	10798	10094



Standard cylinder DIN/ISO 15552

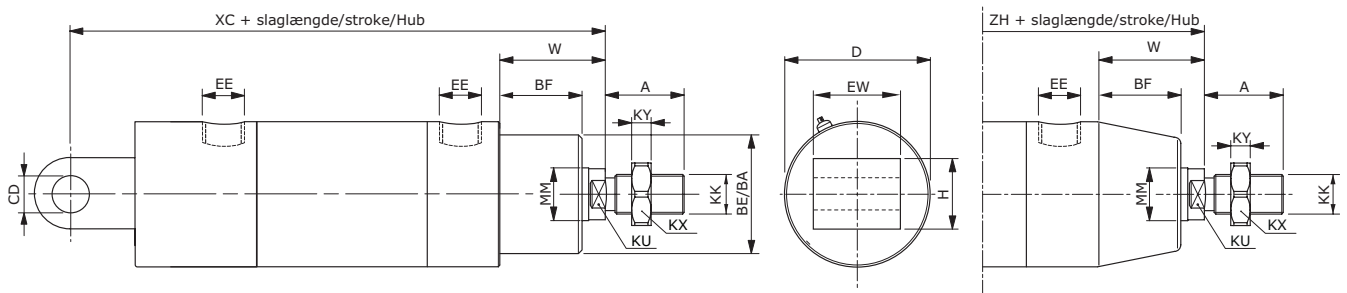
Technical data | 05-01-2024

UNIC
STAINLESS CYLINDER



1320/1720

1120



1328/1728

1128

Ø	A	BE ²⁾	BA ¹⁾	BF	CD	D	EE	EW	H	KK	KU	KX	KY	MM	RT	TE	W	XC	ZH
80	40	M55x1,50	Ø55	35	16	Ø86	G3/8"	50	32	M20x1,50	22	30	9	Ø25	M8	45	46	211	175
100	40	M55x1,50	Ø55	38	20	Ø106	G1/2"	60	34	M20x1,50	22	30	9	Ø25	M10	55	51	230	190
125	54	M60x2	Ø60	50	30	Ø132	G1/2"	70	40	M27x2	27	41	13,50	Ø32	M12	70	65	275	226

*Note. All dimensions are with 0.0 mm stroke.

¹⁾ Cylinder with cylindrical front cap (no. 13) ²⁾ Cylinder with threaded front cap (no. 17)

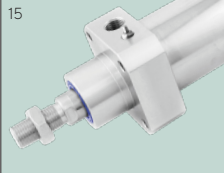

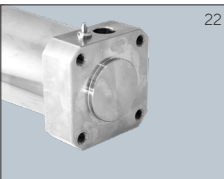


Standard cylinder DIN/ISO 15552

Ø32 mm - Ø125 mm (VDMA) | 05-01-2024

UNIC
STAINLESS CYLINDER

Type overview

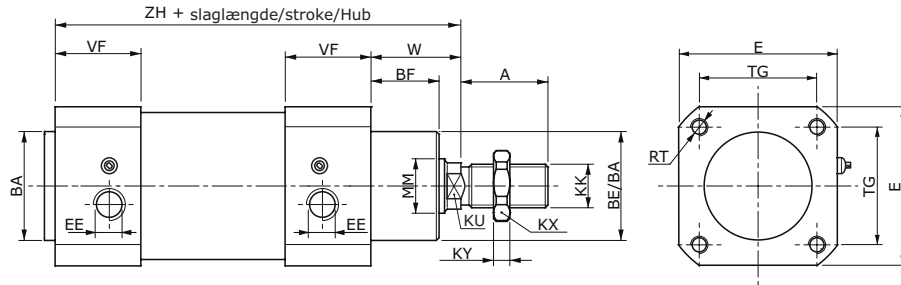
Front caps	 <p>15</p>	 <p>19</p>
Rear caps	 <p>22</p>	

Cylinder accessories					
					
					
					

Standard cylinder DIN/ISO 15552

Technical data | 05-01-2024

UNIC
STAINLESS CYLINDER



1522/1922

Ø	A	BE ²⁾	BA ¹⁾	BF	E	EE	KK	KU	KX	KY	MM	RT	TG	VF	W	ZH
32	22	M30x1,50	Ø30	20	45	G1/8"	M10x1,25	NV10	NV17	5	Ø12	M6	32,50	23	27	121
40	24	M36x1,50	Ø35	22	55	G1/4"	M12x1,25	NV13	NV19	6	Ø16	M6	38	27,50	31	136
50	32	M42x1,50	Ø40	29	65	G1/4"	M16x1,50	NV17	NV24	6	Ø20	M8	46,50	26	38	144
63	32	M42x1,50	Ø40	29	75	G3/8"	M16x1,50	NV17	NV24	6	Ø20	M8	56,50	29,50	38	159
80	40	M55x1,50	Ø55	35	95	G3/8"	M20x1,50	NV22	NV30	9	Ø25	M10	72	31	47	175
100	40	M55x1,50	Ø55	38	115	G1/2"	M20x1,50	NV22	NV30	9	Ø25	M10	89	31	52	190
125	51	M60x2	Ø60	50	140	G1/2"	M27x2	NV27	NV41	13,50	Ø32	M12	110	39	66	226

*Note. All dimensions are with 0.0 mm stroke.

¹⁾ Cylinder with cylindrical front cap (no. 15) ²⁾ Cylinder with threaded front cap (no. 19)

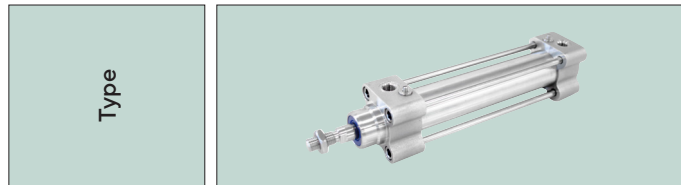


Standard cylinder DIN/ISO 15552

UNIC
STAINLESS CYLINDER

Ø32 mm - Ø100 mm (with tie rods) | 2130 | 05-01-2024

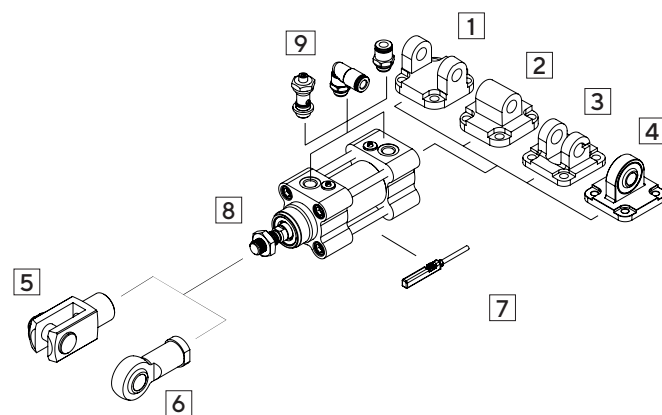
Type overview



Standard cylinder DIN/ISO 15552

Ø32 mm - Ø100 mm (with tie rods) | 2130 | 05-01-2024

UNIC
STAINLESS CYLINDER



Specifications

Diameter:	Ø32 mm - Ø100 mm
Standard:	DIN/ISO 15552
Working pressure:	3 bar to 10 bar
Temperature:	-20°C til +80°C
Standard strokes:	25-1000 mm

Materials

Piston rod, Accessories, Cylinder tube, Front and rear caps	AISI 304 / (EN 1.4301)
Piston:	POM / Aluminium
Wiper:	Nitrile rubber / polyurethane
O-rings:	Viton

Standard

Magnet for detection
Adjustable end stroke-cushioning

Options

AISI 316L (EN 1.4404)
Cylinder with enhanced chemical resistance
Heat-resistant cylinder max +150°C
Spring return or forward
Customized according to request
Renovation / Rep. kit (Page 54)

Ordering key

Ø40 x 150 mm = **U040 0150 2130**

Accessories

		Page ->
1	Clevis mounting	43
2	Counter-support	42
3	Clevis mounting, slim	45
4	Counter with rod eye	44
5	Stempelstangsgaffel	40
6	Sfærisk ledøje	40
7	Reedsensor	48
8	Stempelstangsmøtrik	39
9	Fittings	49

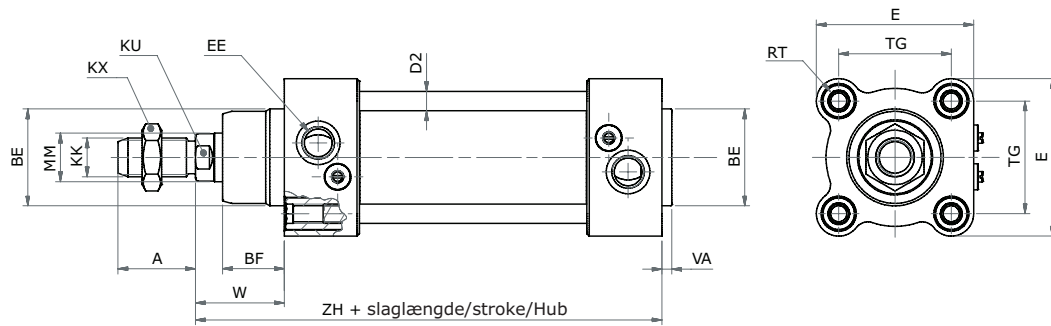
Theoretical cylinder forces given in Newton

Cyl.Ø	Piston rod Ø	Piston area cm ²		3 bar		4 bar		5 bar			
		•	•	•	•	•	•	•	•		
32	12	8,0	6,9	212	182	282	243	352	304		
40	16	12,6	10,6	333	282	444	373	554	466		
50	20	19,6	16,5	517	436	690	581	862	726		
63	20	31,1	28,0	824	739	1098	986	1373	1232		
80	25	50,3	45,3	1328	1199	1771	1598	2213	1998		
100	25	78,5	73,6	2072	1943	2763	2591	3454	3238		
		6 bar		7 bar		8 bar		9 bar		10 bar	
		•	•	•	•	•	•	•	•	•	•
422	364	493	425	563	486	634	546	704	607		
665	560	776	653	887	746	998	840	1109	933		
1035	871	1207	1016	1380	1162	1552	1307	1725	1452		
1647	1478	1923	1725	2196	1971	2471	2218	2746	2464		
2656	2397	3098	2797	3541	3196	3984	3596	4426	3995		
4145	3886	4836	4534	5526	5181	6217	5829	6908	6477		

Standard cylinder DIN/ISO 15552

Technical data | 05-01-2024

UNIC
STAINLESS CYLINDER



2130

Ø	A	BE	BF	E	EE	KK	KU	KX	D2	MM	RT	TG	W	ZH
32	22	Ø30	18	48	G1/8"	M10x1,25	10	17	6	Ø12	M6	32,5	26	121
40	24	Ø35	22	52	G1/4"	M12x1,25	13	19	6	Ø16	M6	38	30	136
50	32	Ø40	25,5	65	G1/4"	M16x1,50	17	24	8	Ø20	M8	46,5	37	144
63	32	Ø45	26	75	G3/8"	M16x1,50	17	24	8	Ø20	M8	56,5	37	159
80	40	Ø45	32	95	G3/8"	M20x1,50	22	30	10	Ø25	M10	72	46	175
100	40	Ø55	38	115	G1/2"	M20x1,50	22	30	10	Ø25	M10	89	51	190

*Note. All dimensions are with 0.0 mm stroke.