



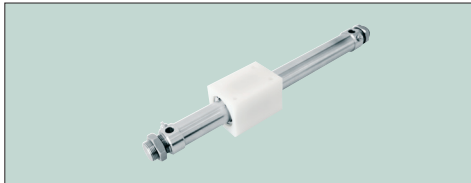
Rodless cylinder

Ø25 mm - Ø40 mm | 4040 / 4041 | 05-01-2024

UNIC
STAINLESS CYLINDER

Type overview

Type

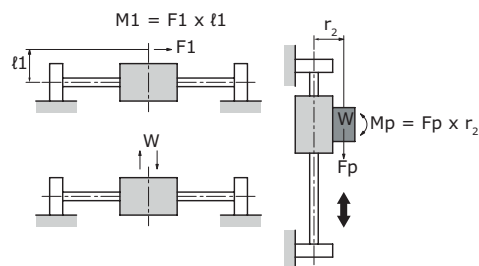
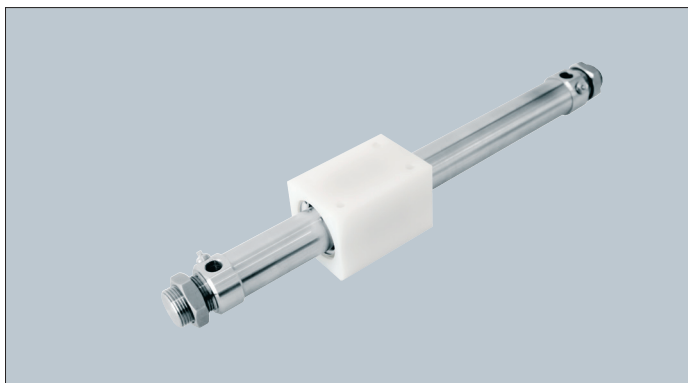


Cylinder accessories



Rodless cylinder

Ø25 mm - Ø40 mm | 4040 / 4041 | 05-01-2024

UNIC
 STAINLESS CYLINDER


Last og moment

| Ø | Horizontal load W (kg) | Safe moment Mp (kgf · m) |
|----|---------------------------|-----------------------------|
| 25 | 6,8 | 3,92 |
| 32 | 9,7 | 8,83 |
| 40 | 15,8 | 13,70 |

Accessories

| Accessories | Page -> |
|-------------|---------|
| Neck nut | 38 |
| Fittings | 49 |

Specifications

| | |
|-------------------|-----------------|
| Diameter: | Ø25 mm - Ø40 mm |
| Working pressure: | 3 bar to 10 bar |
| Temperature: | -20°C til +80°C |
| Standard strokes: | 10-500 mm |

Materials

| | |
|---|---|
| Piston rod, Accessories, Cylinder tube, Front and rear caps | AISI 304 / (EN 1.4301) |
| Housing | POM-C FG (Food approved) PTFE (Heat-resistant version) |
| Wiper: | Viton / Polyuretan |
| O-ring: | Viton |

Standard

Adjustable end stroke-cushioning

Types

| | |
|------|------------------------------|
| 4040 | Without guide |
| 4041 | With guide (anti-rotational) |

Options

Heat-resistant cylinder max +150°C

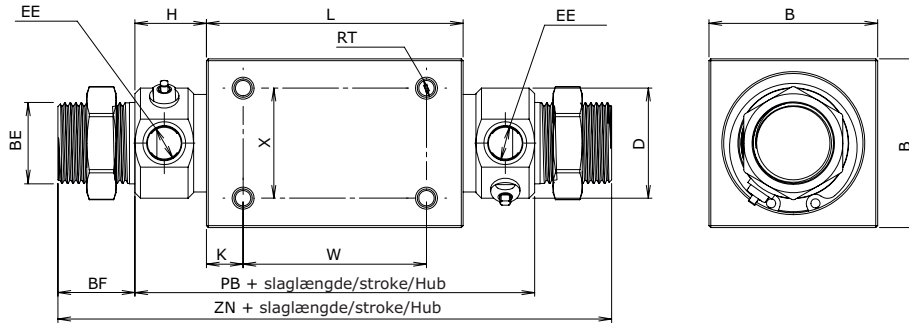
Customized according to request



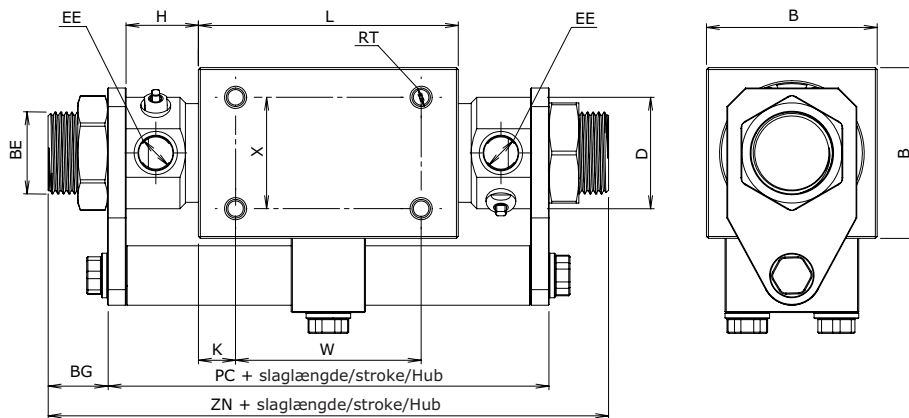
Rodless cylinder

Technical data | 05-01-2024

UNIC
STAINLESS CYLINDER



4040



4041

| Ø | B | BE | BF | BG | D | EE | H | K | L | PB | PC | RT | W | X | ZN |
|----|----|----------|----|----|-------|-------|-------|----|----|-----|-----|----|----|----|-----|
| 25 | 46 | M22x1,50 | 21 | 16 | 30 | G1/8" | 20,50 | 10 | 70 | 109 | 119 | M5 | 50 | 30 | 151 |
| 32 | 60 | M30x1,50 | 20 | 15 | 33,60 | G1/8" | 22 | 15 | 80 | 135 | 145 | M6 | 50 | 40 | 175 |
| 40 | 70 | M38x1,50 | 22 | 17 | 46 | G1/4" | 29 | 16 | 92 | 148 | 158 | M6 | 60 | 40 | 192 |

*Note. All dimensions are with 0.0 mm stroke.